



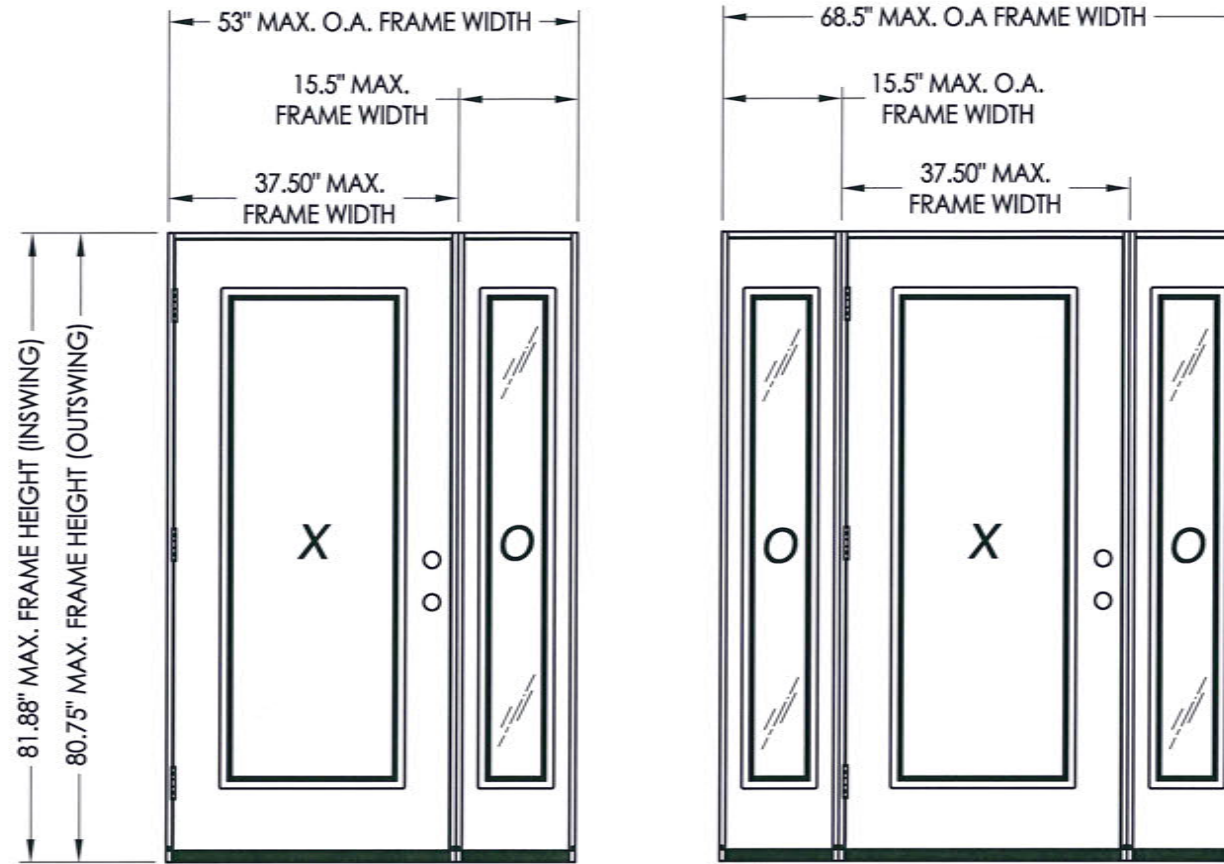
**TRINITY GLASS**  
INTERNATIONAL  
33615 1st Way S Federal Way, WA 98003

# GLAZED FIBERGLASS DOOR with SIDELITE(S) INSWING / OUTSWING "NON-IMPACT"

### GENERAL NOTES

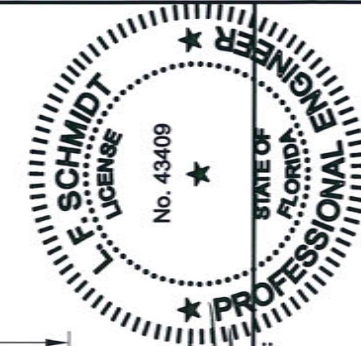
1. This product has been evaluated and is in compliance with the 5th Edition (2014) Florida Building Code (FBC) structural requirements excluding the "High Velocity Hurricane Zone" (HVHZ).
2. Product anchors shall be as listed and spaced as shown on details. Anchor embedment to base material shall be beyond wall dressing or stucco.
3. When used in areas requiring wind borne debris protection this product is required to be protected with an impact resistant covering that complies with Section 1609.1.2 of the FBC.
4. For 2x stud framing construction, anchoring of these units shall be the same as that shown for 2x buck masonry construction.
5. Site conditions that deviate from the details of this drawing require further engineering analysis by a licensed engineer or registered architect.

TABLE OF CONTENTS	
SHEET#	DESCRIPTION
1	Typical elevations, design pressures & general notes
2	Door panel details - flush glazing
3	Door panel details - lip lite glazing
4	Sidelite panel details
5	Sidelite panel details
6	Elevations
7	Horizontal cross sections
8	Vertical cross sections
9	Vertical cross sections
10	Buck anchoring
11	Frame anchoring
12	Components
13	Bill of materials



Boxed Jamb Sidelites

CONFIGURATION	MAX. FRAME DIMENSION	JAMB TYPE	DESIGN PRESSURE (PSF) FLUSH GLAZED		DESIGN PRESSURE (PSF) LIP LITE	
			POSITIVE	NEGATIVE	POSITIVE	NEGATIVE
			OX/XO	53.0" x 81.88"	WOOD	+55.0
FIBERGLASS/COMP	+55.0	-55.0			+47.0	-47.0
PVC	+35.0	-35.0			+35.0	-35.0
OXO	68.5" x 81.88"	WOOD	+55.0	-55.0	+47.0	-47.0
		FIBERGLASS/COMP	+55.0	-55.0	+47.0	-47.0
		PVC	+35.0	-35.0	+35.0	-35.0



Documents Prepared By:  
Lyndon F. Schmidt  
P.E. No. 43409

*RW*  
BUILDING CONSULTANTS, INC.  
P.O. Box 230, Valrico, FL 33595  
Phone No.: 813.659.9197  
FBPE C.A. No. 9813

PRODUCT: TRINITY GLASS INT'L

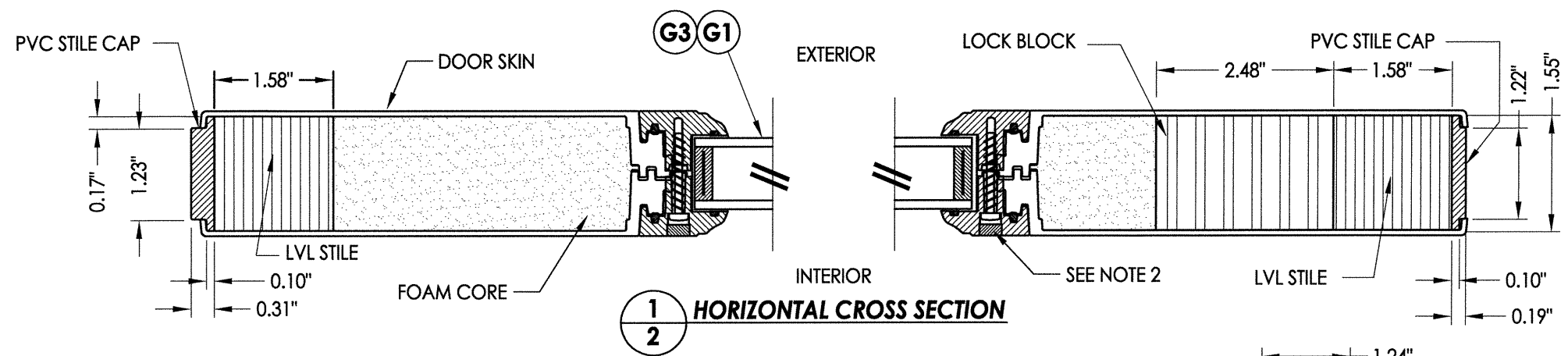
PART OR ASSEMBLY:  
TYPICAL ELEVATION, DESIGN PRESSURES & GENERAL NOTES

NO.	DATE	REVISIONS
3	03/02/15	UPDATE TO 5TH ED. (2014) FBC
2	12/16/14	ADDED PVC JAMB/LOCK HRDWR
1	3/27/12	ADDED GLAZING DETAIL

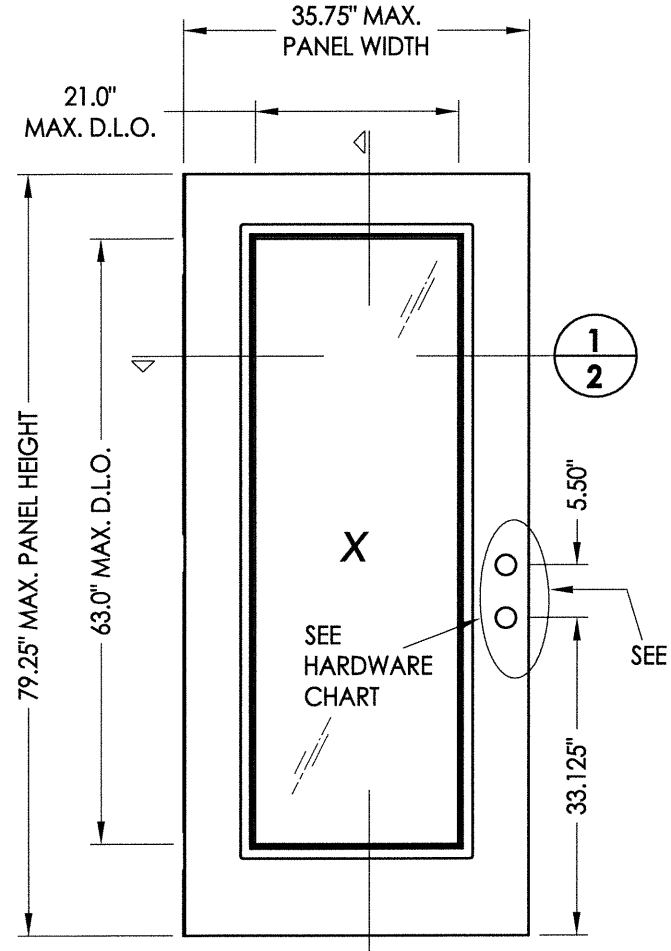
DATE: 1/18/12  
SCALE: N.T.S.  
DWG. BY: JK  
CHK. BY: LFS  
DRAWING NO.: FL-15129.7  
SHEET 1 OF 13

R:\Clients\Trinity PERMANENT\Florida Product Approvals\FL-15129\Drawings\Current\FL-15129.5-8.dwg, FL-15129.7

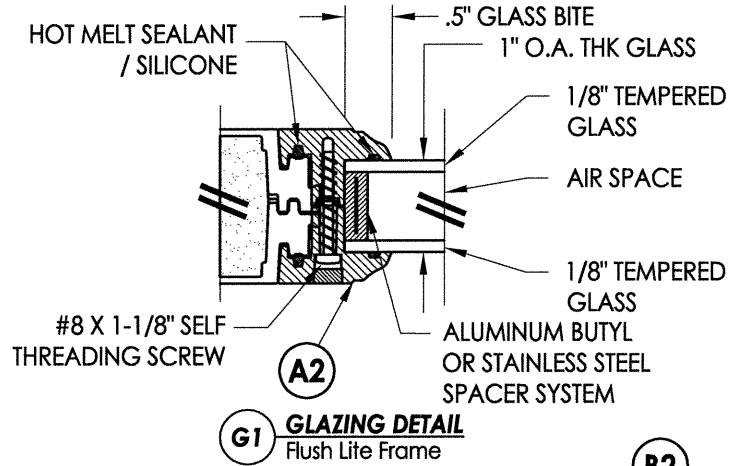
R:\Clients\Trinity PERMANENT\Florida Product Approvals\FL-15129\Drawings\Current\FL-15129.5-8.dwg, 2.7



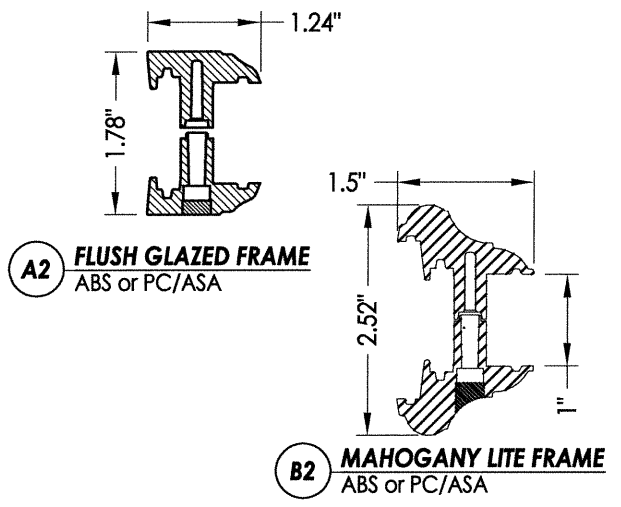
**1**  
**2** HORIZONTAL CROSS SECTION



**2**  
**2** FIBERGLASS DOOR with FLUSH GLAZING  
FIBERGLASS DOOR SKIN: MIN. 0.070" THK.  
FOAM CORE MATERIAL: POLYURETHANE

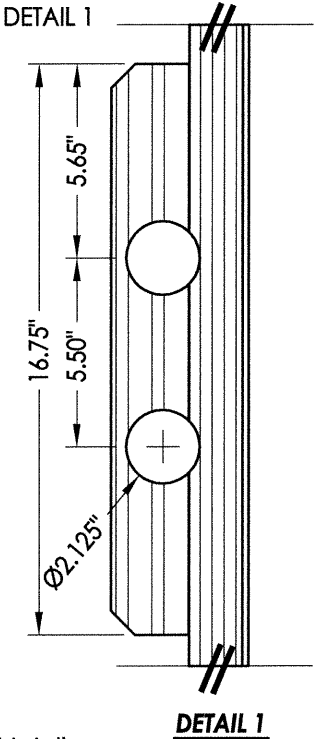


**G1** GLAZING DETAIL  
Flush Lite Frame

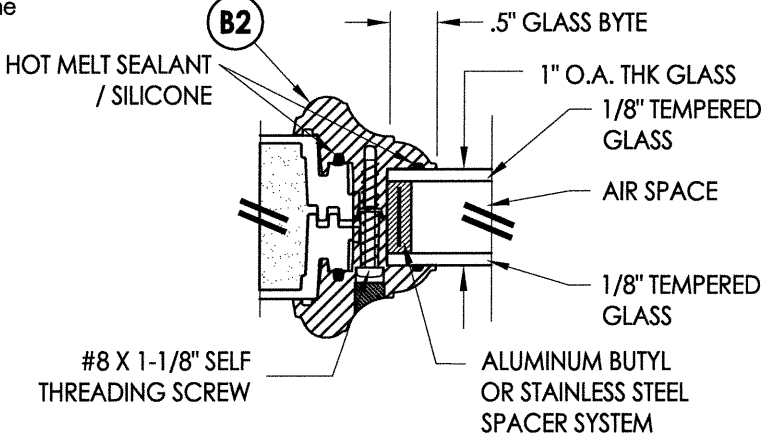


**A2** FLUSH GLAZED FRAME  
ABS or PC/ASA

**B2** MAHOGANY LITE FRAME  
ABS or PC/ASA



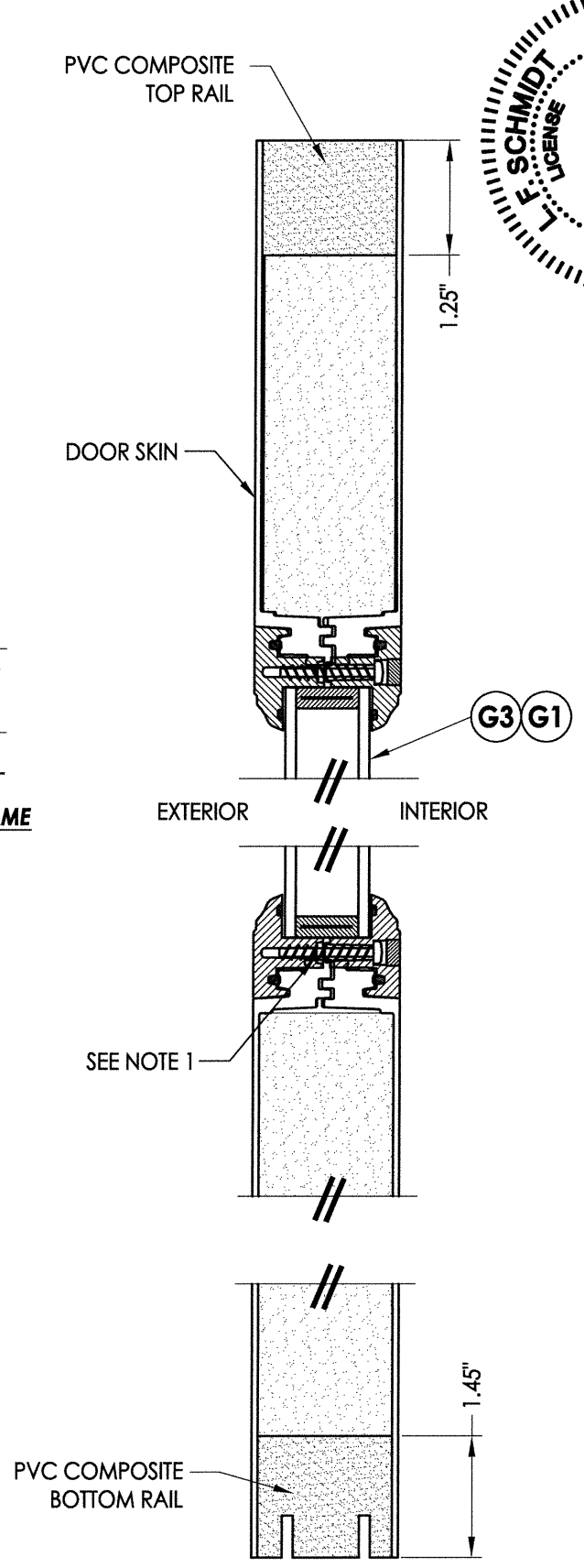
DETAIL 1



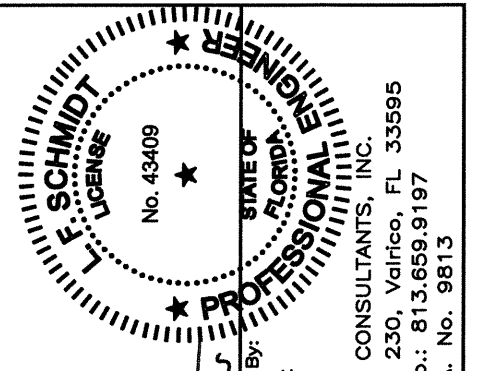
**G2** GLAZING DETAIL  
Flush Lite Frame

HARDWARE CHART	
MANUFACTURER	MODEL
KWIKSET	KNOB: SIGNATURE SERIES DEADBOLT: SIGNATURE SERIES (980)
KWIKSET	KNOB & DEADBOLT: SIGNATURE SERIES COMBO PACK (991)
SCHLAGE	KNOB: F SERIES DEADBOLT: B60 SERIES

NOTE:  
1. Spacing for lite frame screw is as follows:  
Top and Bottom: 2-3/4" from corners & equally spaced thereafter (4 total)  
Sides: 2-3/4" from corners & equally spaced thereafter (8 total)



**2**  
**2** VERTICAL CROSS SECTION



Documents Prepared By:  
Lyndon F. Schmidt  
P.E. No. 43409

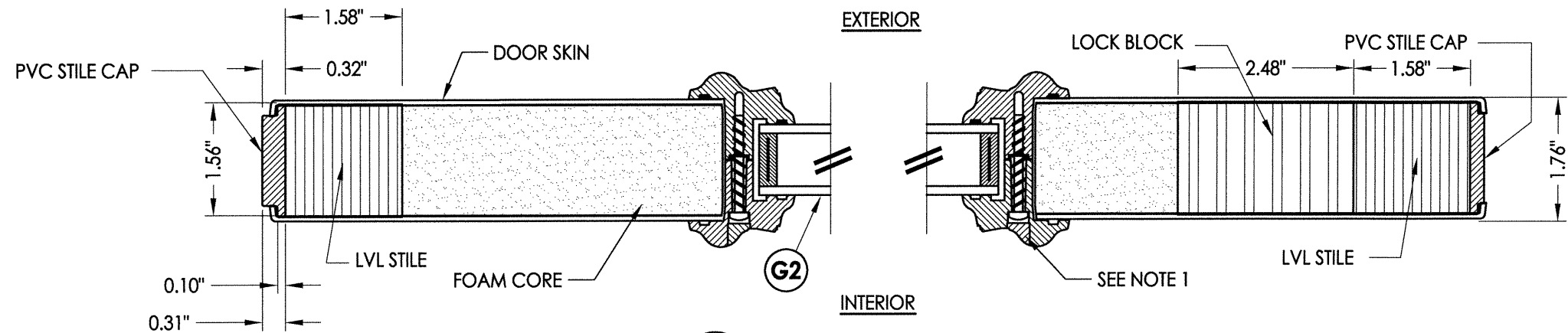
**RW**  
BUILDING CONSULTANTS, INC.  
P.O. Box 230, Valrico, FL 33595  
Phone No.: 813.659.9197  
FBPE C.A. No. 9813

PRODUCT: TRINITY GLASS INT'L  
PART OR ASSEMBLY: DOOR PANEL DETAILS  
FLUSH GLAZING

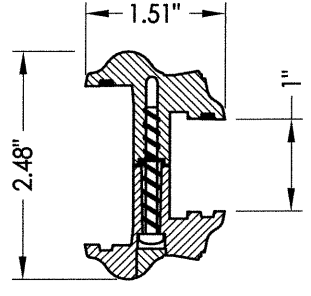
NO.	DATE	REVISIONS
3	03/02/15	UPDATE TO 5TH ED. (2014) FBC JK
2	12/16/14	ADDED PVC JAMB/LOCK HRDWR LFS
1	3/27/12	ADDED GLAZING DETAIL LFS

DATE: 1/18/12  
SCALE: N.T.S.  
DWG. BY: JK  
CHK. BY: LFS  
DRAWING NO.: FL-15129.7  
SHEET 2 OF 13

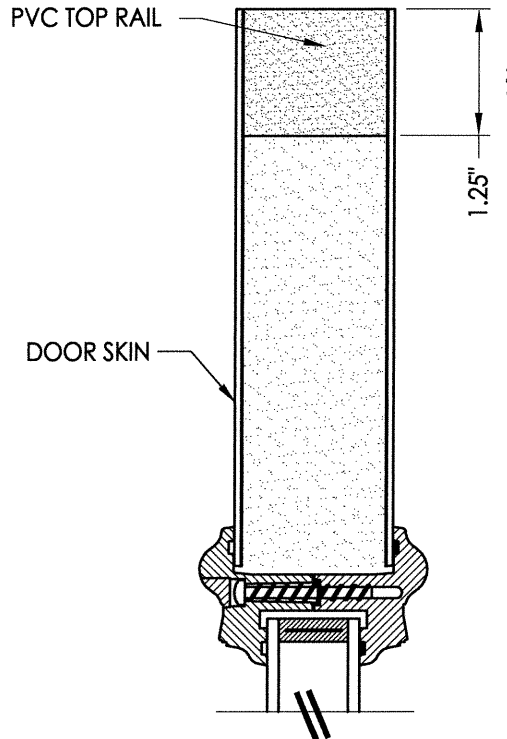
R:\Clients\Trinity PERMANENT\Florida Product Approvals\FL-15129\Drawings\Current\FL-15129-5-8.dwg, 3.7



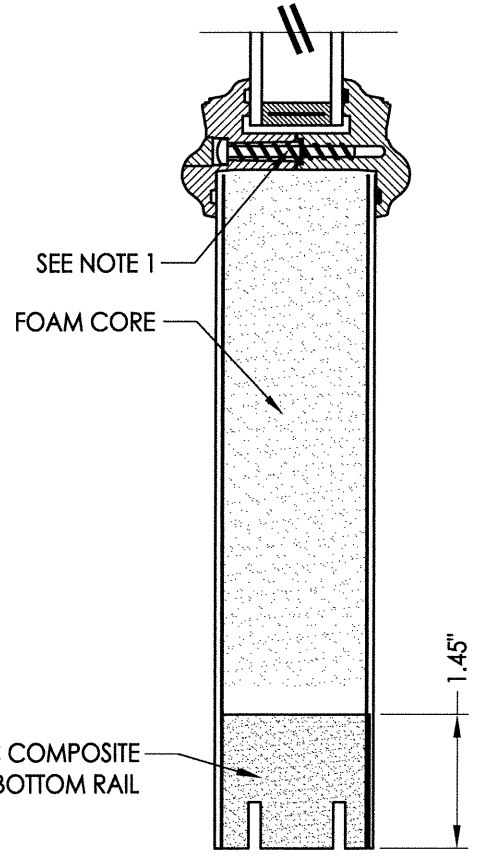
**1**  
**3** HORIZONTAL CROSS SECTION



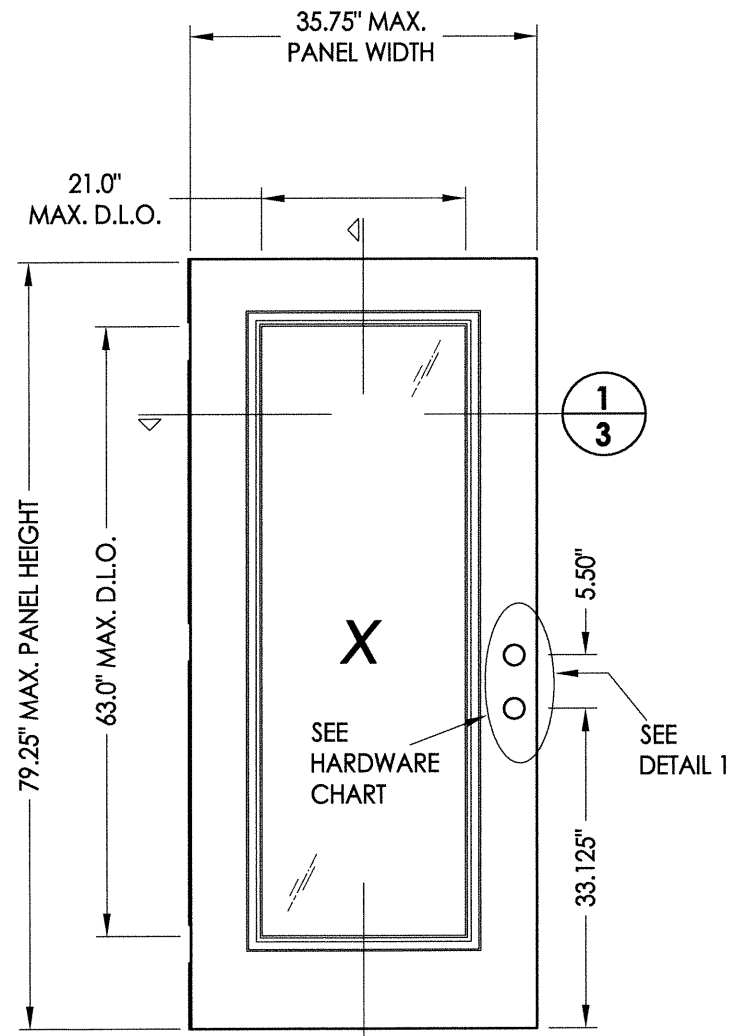
**A3** LIP LITE FRAME  
ABS or PC/ASA



EXTERIOR INTERIOR

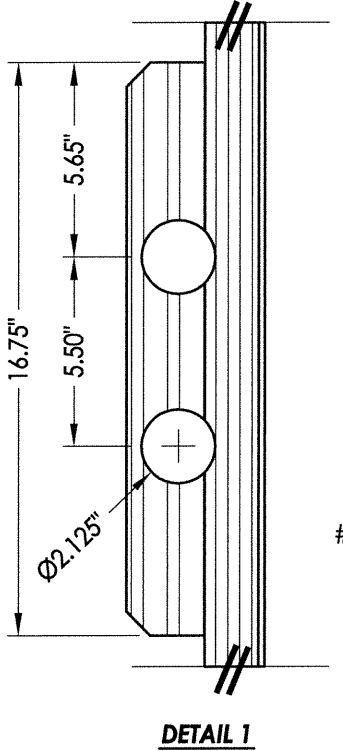


**2**  
**3** VERTICAL CROSS SECTION

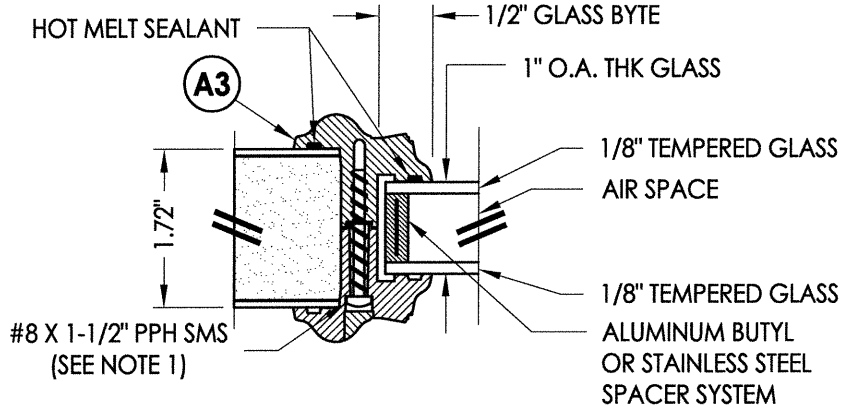


**2**  
**3** FIBERGLASS DOOR PANEL  
with LIP LITE GLAZING

FIBERGLASS DOOR SKIN: MIN. 0.070" THK.  
FOAM CORE MATERIAL: POLYURETHANE



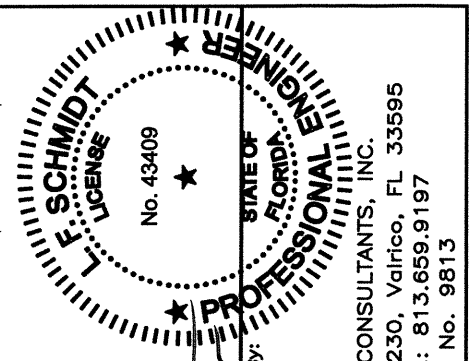
DETAIL 1



**G2** GLAZING DETAIL  
Lip Lite Frame

HARDWARE CHART	
MANUFACTURER	MODEL
KWIKSET	KNOB: SIGNATURE SERIES DEADBOLT: SIGNATURE SERIES (980)
KWIKSET	KNOB & DEADBOLT: SIGNATURE SERIES COMBO PACK (991)
SCHLAGE	KNOB: F SERIES DEADBOLT: B60 SERIES

NOTE:  
1. Spacing for lite frame screw is as follows:  
Top and Bottom: 2" from each corner and at centerline (3 total)  
Sides: 2" from each corner and equally spaced thereafter (8 total)



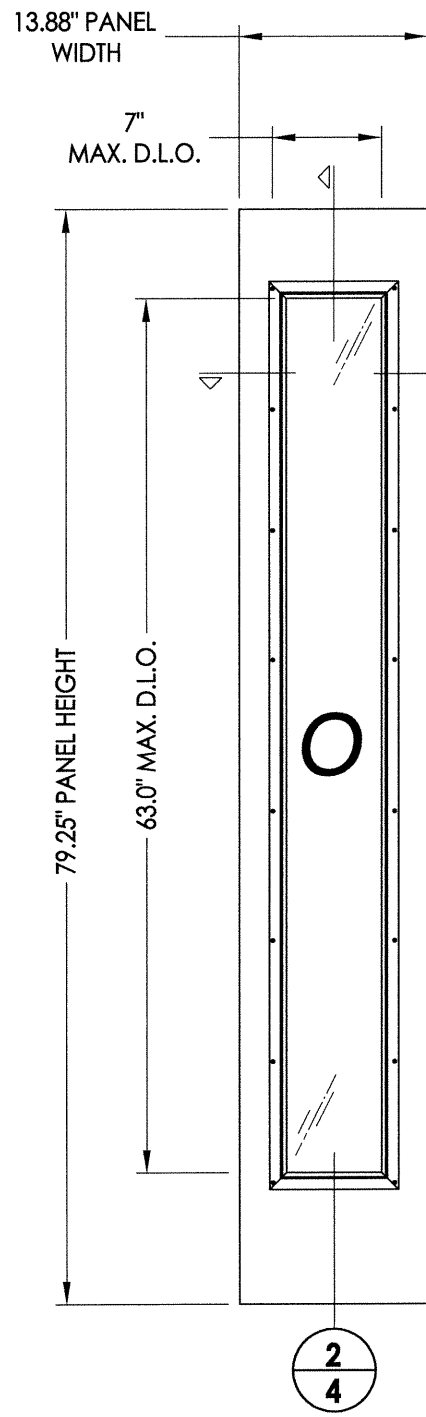
Documents Prepared By:  
Lyndon F. Schmidt  
P.E. No. 43409

**RW** BUILDING CONSULTANTS, INC.  
P.O. Box 230, Valrico, FL 33595  
Phone No.: 813.659.9197  
FBPE C.A. No. 9813

PRODUCT: TRINITY GLASS INT'L  
PART OR ASSEMBLY: DOOR PANEL DETAILS  
LIP LITE GLAZING

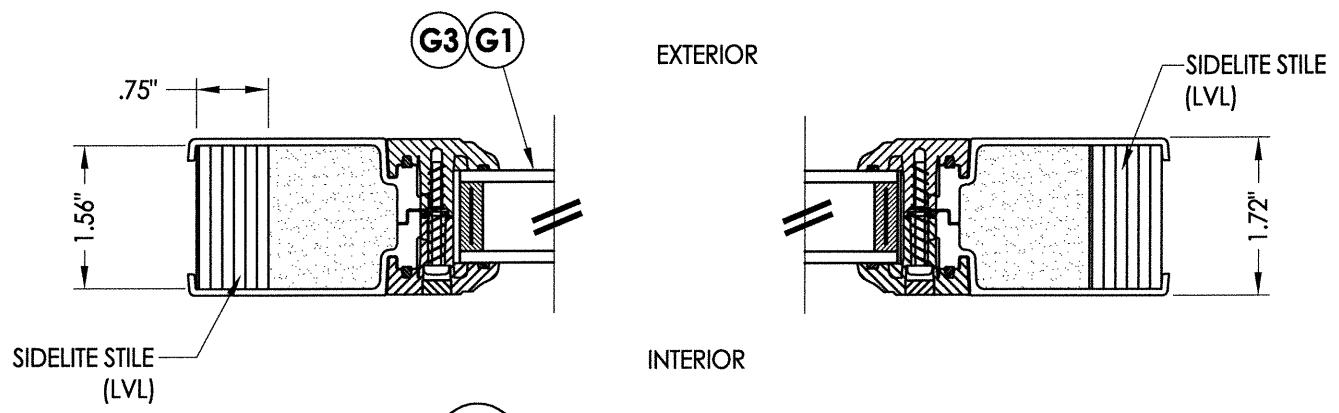
NO.	DATE	BY	REVISIONS
3	03/02/15	JK	UPDATE TO 5TH ED. (2014) FBC
2	12/16/14	LFS	ADDED PVC JAMB/LOCK HRDWR
1	3/27/12	LFS	ADDED GLAZING DETAIL

DATE: 1/18/12  
SCALE: N.T.S.  
DWG. BY: JK  
CHK. BY: LFS  
DRAWING NO.: FL-15129.7  
SHEET 3 OF 13

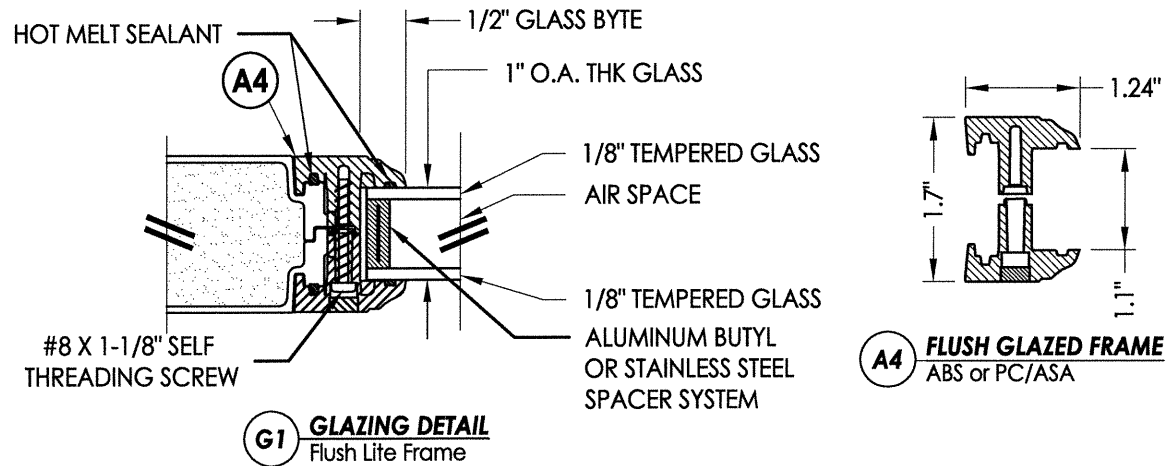


**42 FIBERGLASS SIDELITE**  
"Non-Impact" Flush Lite Frame

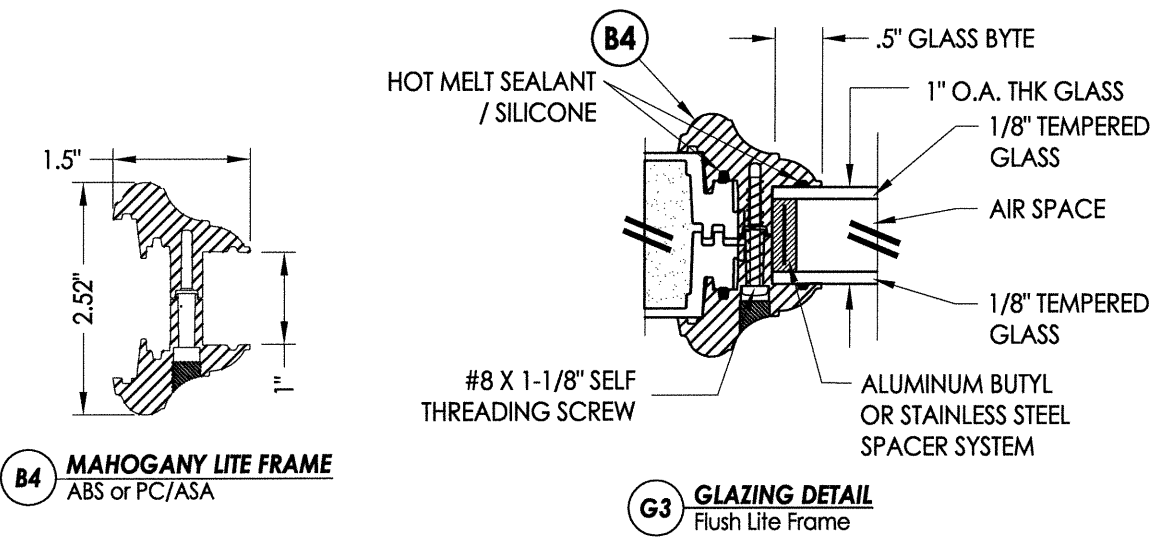
DOOR SKIN: 0.070" MIN. THK. FIBERGLASS  
CORE MATERIAL: POLYURETHANE FOAM



**1/4 HORIZONTAL CROSS SECTION**



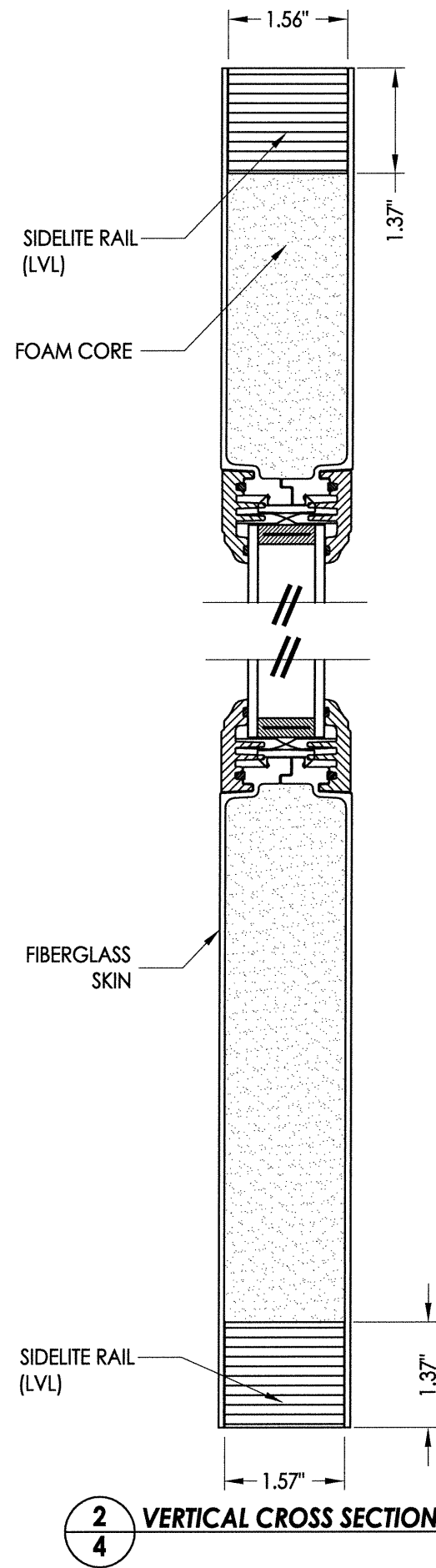
**G1 GLAZING DETAIL**  
Flush Lite Frame



**G3 GLAZING DETAIL**  
Flush Lite Frame

**B4 MAHOGANY LITE FRAME**  
ABS or PC/ASA

**A4 FLUSH GLAZED FRAME**  
ABS or PC/ASA



**2/4 VERTICAL CROSS SECTION**

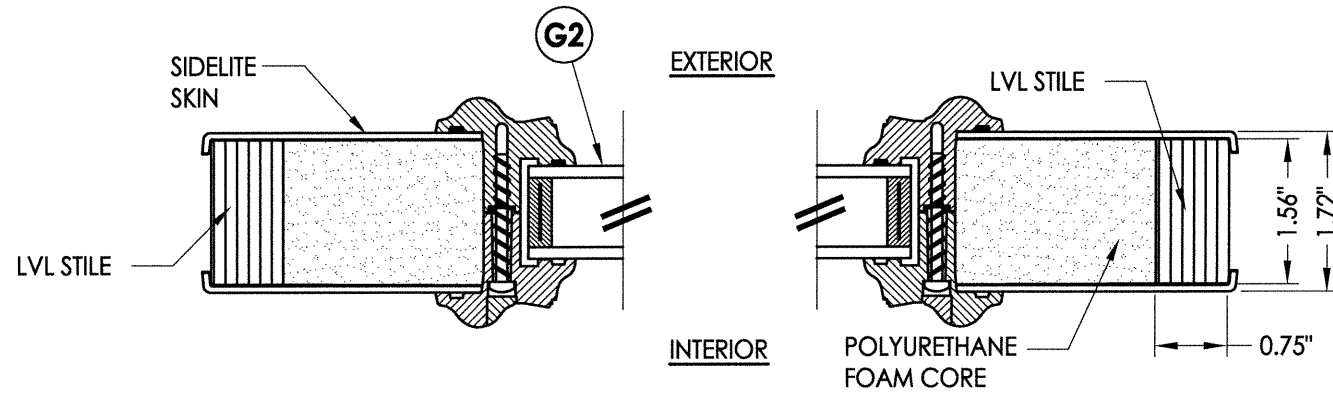
**E. SCHMIDT**  
LICENSE  
No. 43409  
STATE OF  
FLORIDA  
**PROFESSIONAL ENGINEER**

Documents Prepared By:  
Lyndon F. Schmidt  
P.E. No. 43409

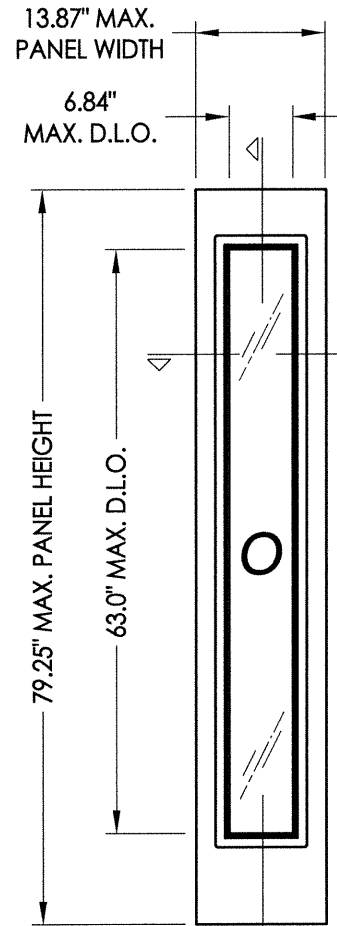
**R.W.** BUILDING CONSULTANTS, INC.  
P.O. Box 230, Valrico, FL 33595  
Phone No.: 813.659.9197  
FBPE C.A. No. 9813

PRODUCT:		TRINITY GLASS INT'L	
PART OR ASSEMBLY:		SIDELITE PANEL DETAILS	
3	03/02/15	UPDATE TO 5TH ED. (2014) FBC	JK
2	12/16/14	ADDED PVC JAMB/LOCK HRDWR	LFS
1	3/27/12	ADDED GLAZING DETAIL	LFS
NO	DATE		BY
REVISIONS			
DATE:		1/18/12	
SCALE:		N.T.S.	
DWG. BY:		JK	
CHK. BY:		LFS	
DRAWING NO.:		FL-15129.7	
SHEET		4 OF 13	

NOTE:  
1. Spacing for lite frame screw is as follows:  
Sides: 0.5" from each corner and 9.5" max. spacing thereafter (8 total)



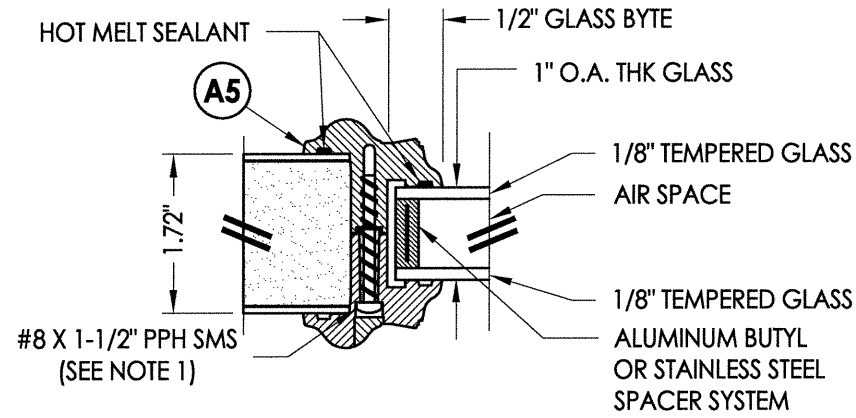
**1**  
**5** **HORIZONTAL CROSS SECTION**



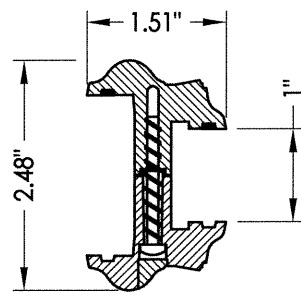
**2**  
**5**

**41** **FIBERGLASS SIDELITE**  
"Non-Impact" Lite Frame

DOOR SKIN: 0.070" MIN. THK. FIBERGLASS  
CORE MATERIAL: POLYURETHANE FOAM

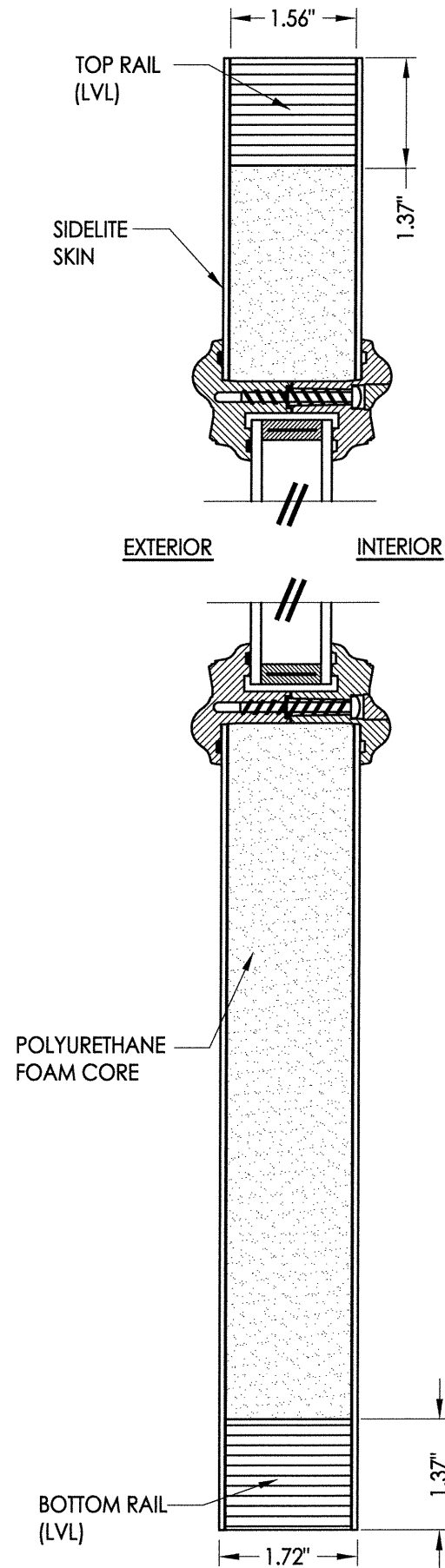


**G2** **GLAZING DETAIL**  
Lip Lite Frame

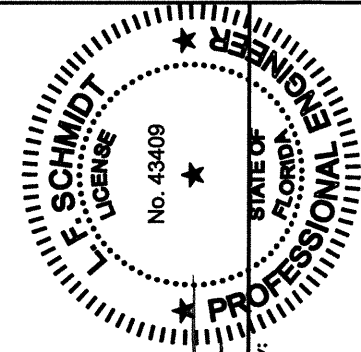


**A5** **LIP LITE FRAME**  
ABS or PC/ASA

NOTE:  
1. Spacing for lite frame screw is as follows:  
Top and Bottom: 2" from each corner (2 total)  
Sides: 2" from each corner and equally spaced thereafter (8 total)



**2**  
**5** **VERTICAL CROSS SECTION**



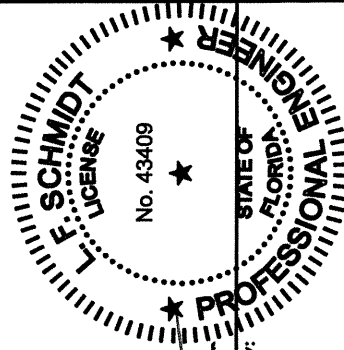
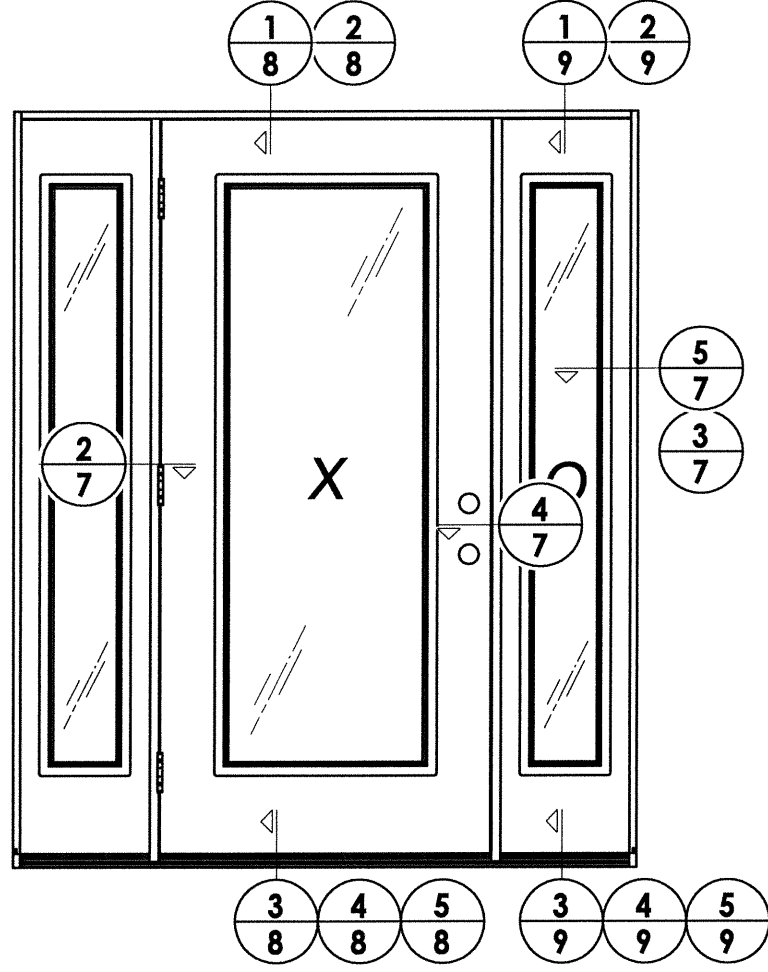
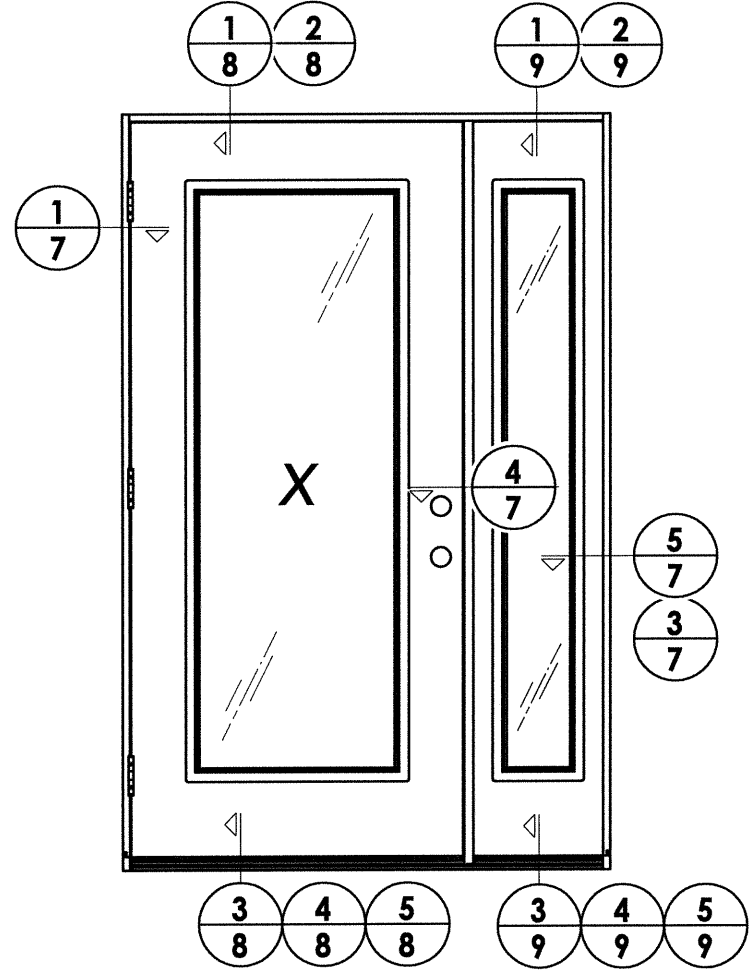
Documents Prepared By:  
Lyndon F. Schmidt  
P.E. No. 43409

**R.W.**  
BUILDING CONSULTANTS, INC.  
P.O. Box 230, Valrico, FL 33595  
Phone No.: 813.659.9197  
FBPE C.A. No. 9813

PRODUCT: TRINITY GLASS INT'L  
PART OR ASSEMBLY: SIDELITE PANEL DETAILS

NO.	DATE	BY	REVISIONS
3	03/02/15	JK	UPDATE TO 5TH ED. (2014) FBC
2	12/16/14	LFS	ADDED PVC JAMB/LOCK HRDWR
1	3/27/12	LFS	ADDED GLAZING DETAIL

DATE: 1/18/12  
SCALE: N.T.S.  
DWG. BY: JK  
CHK. BY: LFS  
DRAWING NO.: FL-15129.7  
SHEET 5 OF 13

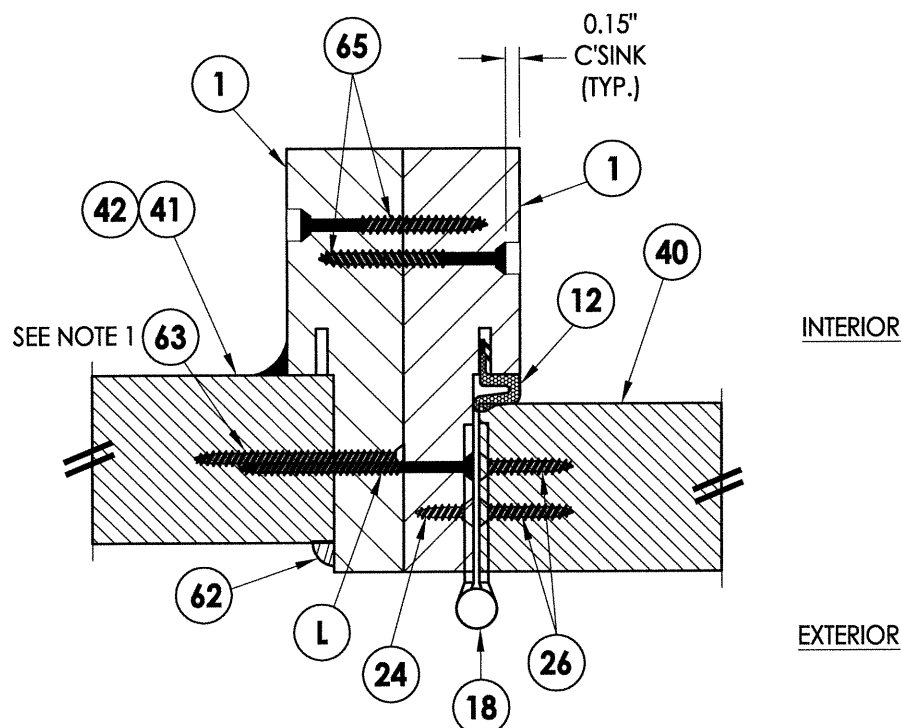


Documents Prepared By:  
Lyndon F. Schmidt  
P.E. No. 43409

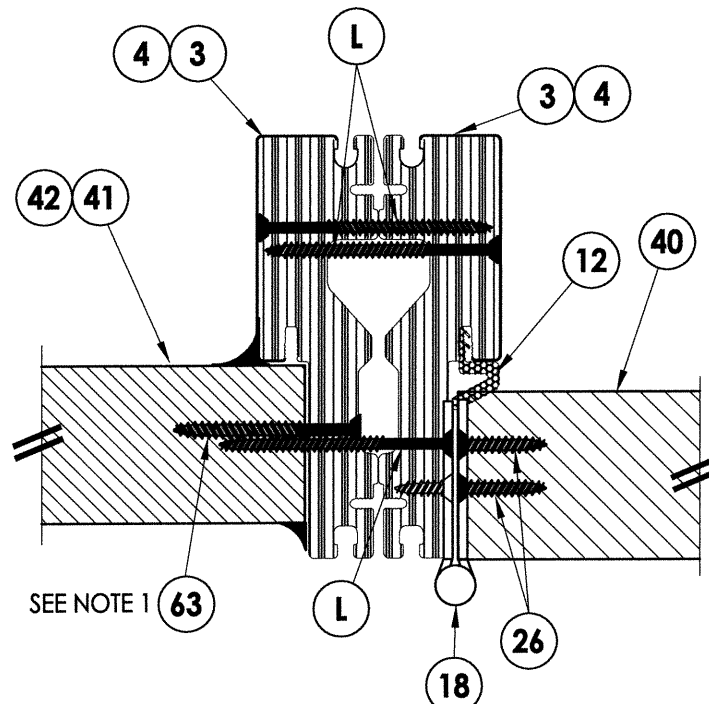
**R.W.** BUILDING CONSULTANTS, INC.  
P.O. Box 230, Valrico, FL 33595  
Phone No.: 813.659.9197  
FBPE C.A. No. 9813

PRODUCT:		TRINITY GLASS INT'L	
PART OR ASSEMBLY:		ELEVATIONS	
NO.	DATE	BY	REVISIONS
3	03/02/15	JK	UPDATE TO 5TH ED. (2014) FBC
2	12/16/14	LFS	ADDED PVC JAMB/LOCK HRDWR
1	3/27/12	LFS	ADDED GLAZING DETAIL

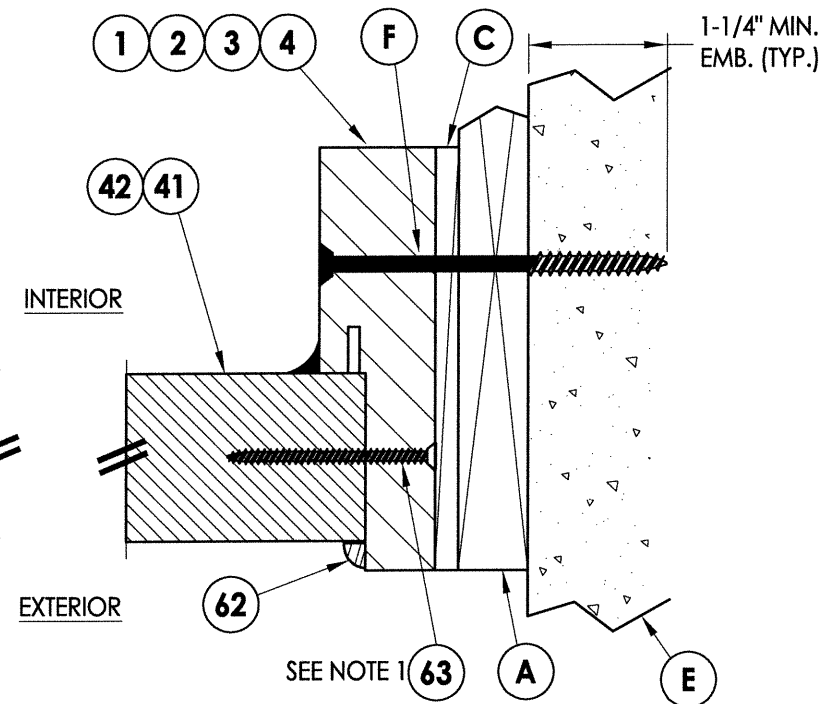
DATE: 1/18/12  
SCALE: N.T.S.  
DWG. BY: JK  
CHK. BY: LFS  
DRAWING NO.: FL-15129.7  
SHEET 6 OF 13



**2 HORIZONTAL CROSS SECTION**  
**7** Outswing shown - Inswing also approved  
 Shown w/ wood jambs



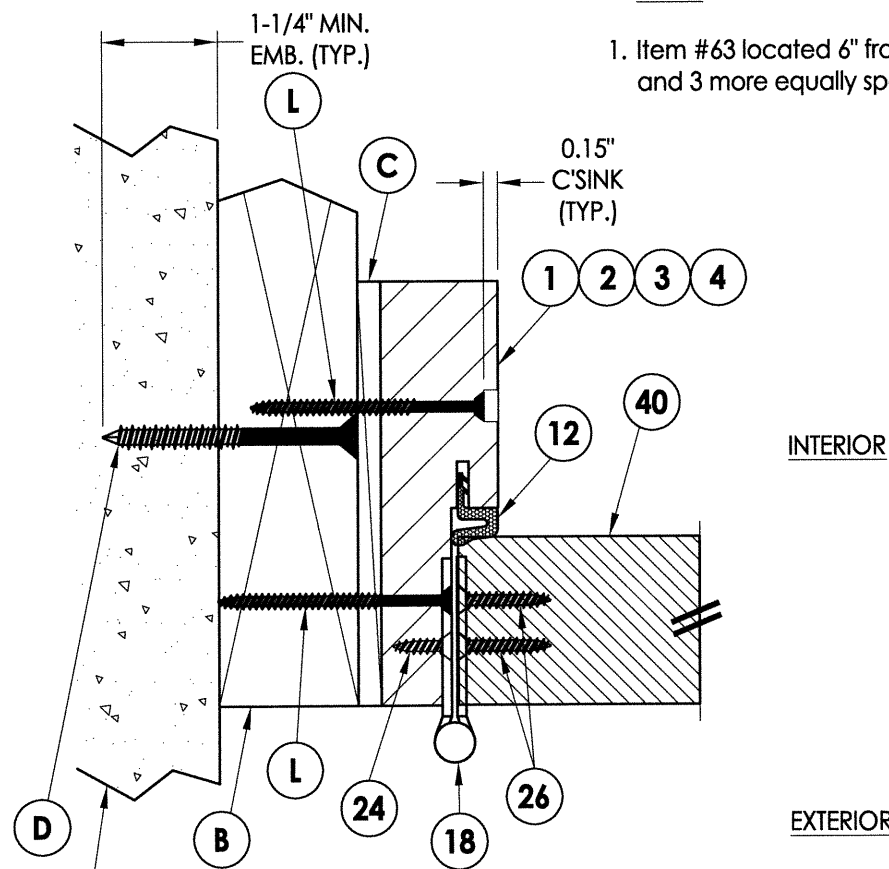
**6 HORIZONTAL CROSS SECTION**  
**7** Outswing shown - Inswing also approved  
 Shown w/ PVC jambs



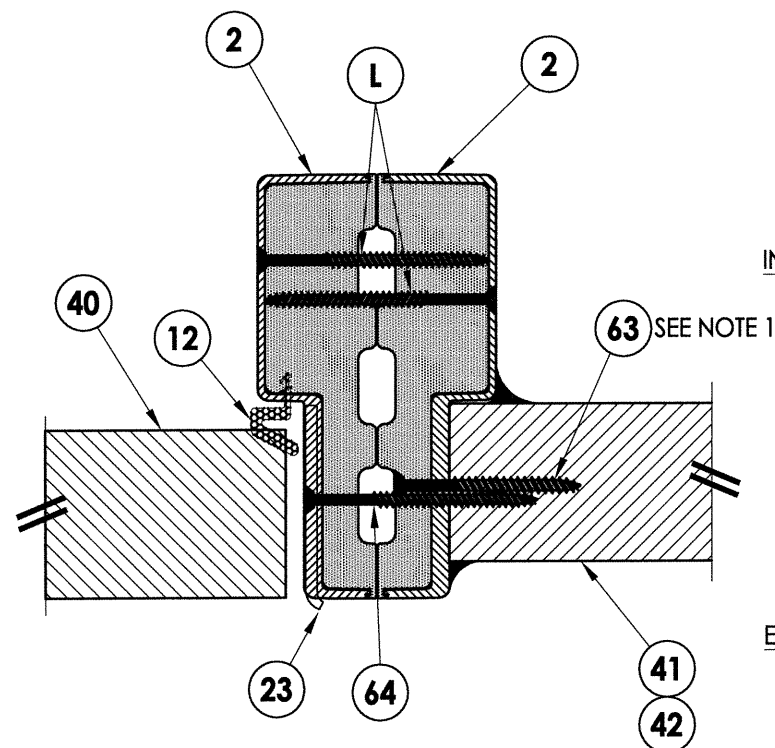
**3 HORIZONTAL CROSS SECTION**  
**7** Shown w/1X sub-buck

NOTE:

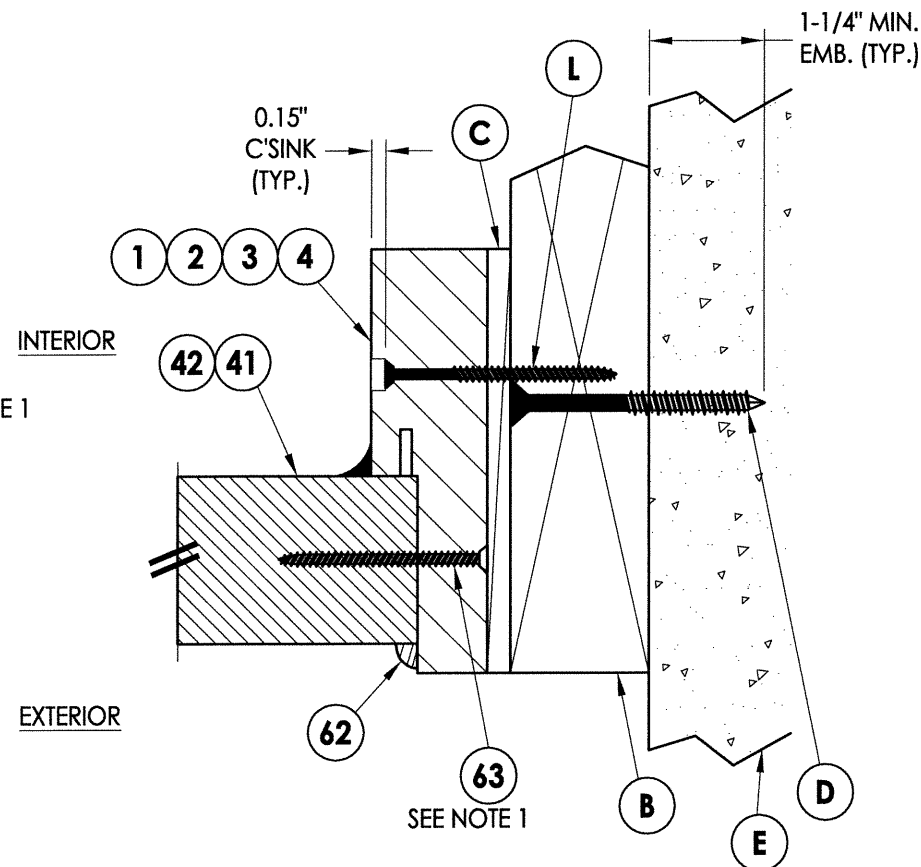
- 1. Item #63 located 6" from each end and 3 more equally spaced (5 total).



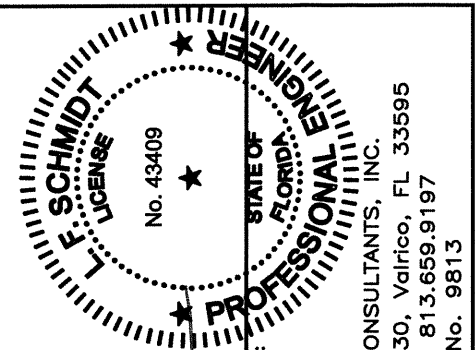
**1 HORIZONTAL CROSS SECTION**  
**7** Outswing shown - Inswing also approved



**4 HORIZONTAL CROSS SECTION**  
**7** Outswing shown - Inswing also approved  
 Shown w/ Fiberglass/Comp. jambs



**5 HORIZONTAL CROSS SECTION**  
**7** Outswing shown - Inswing also approved

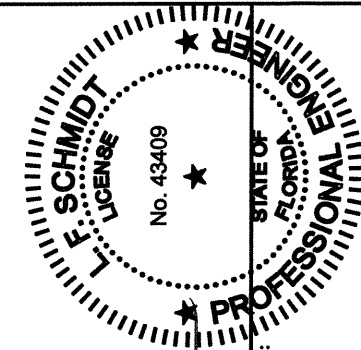
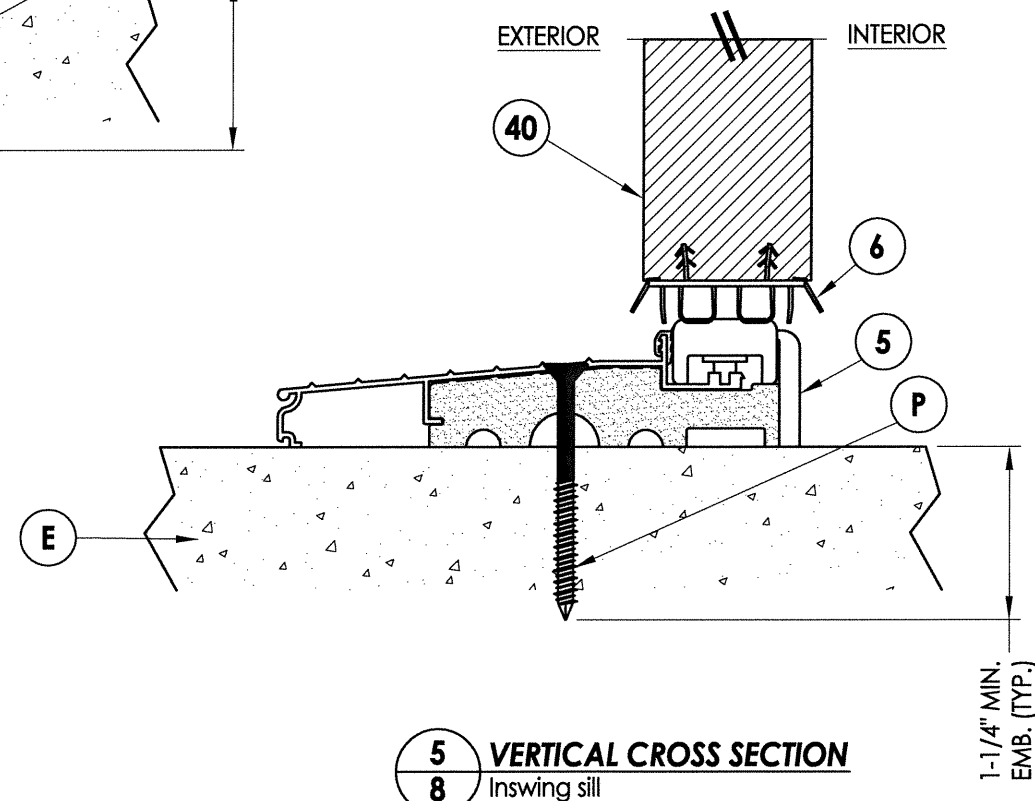
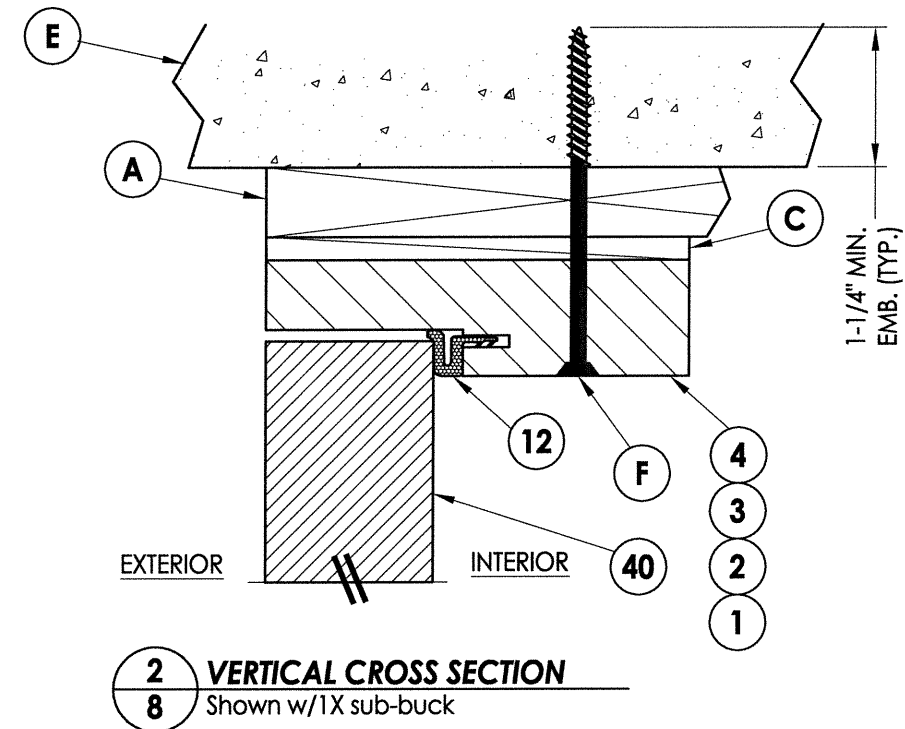
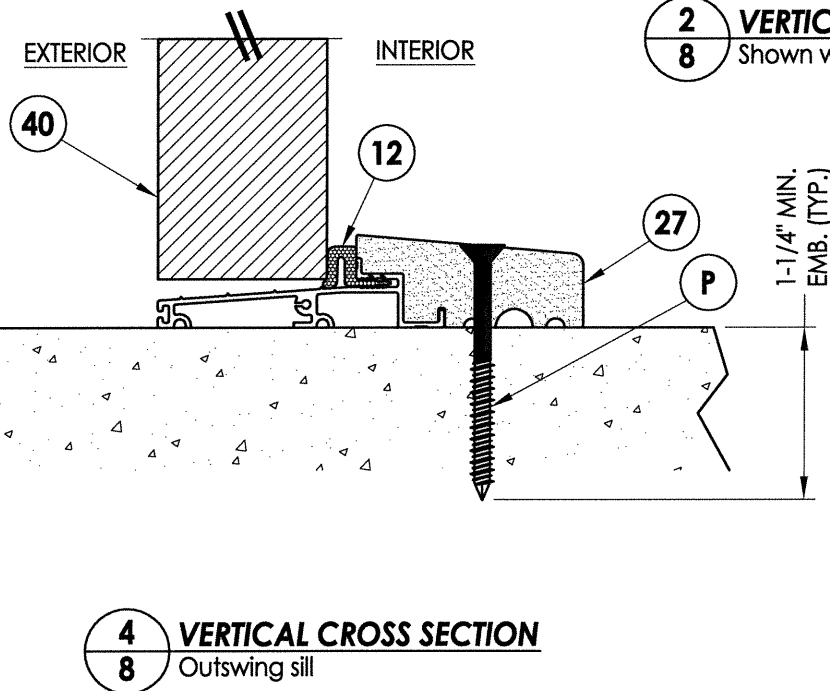
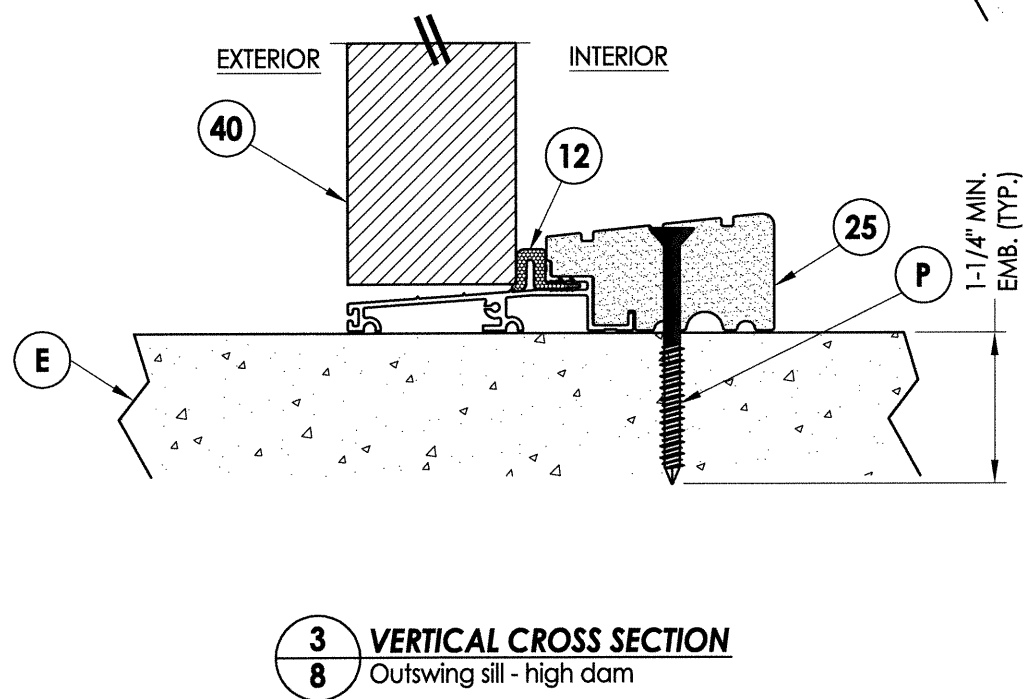
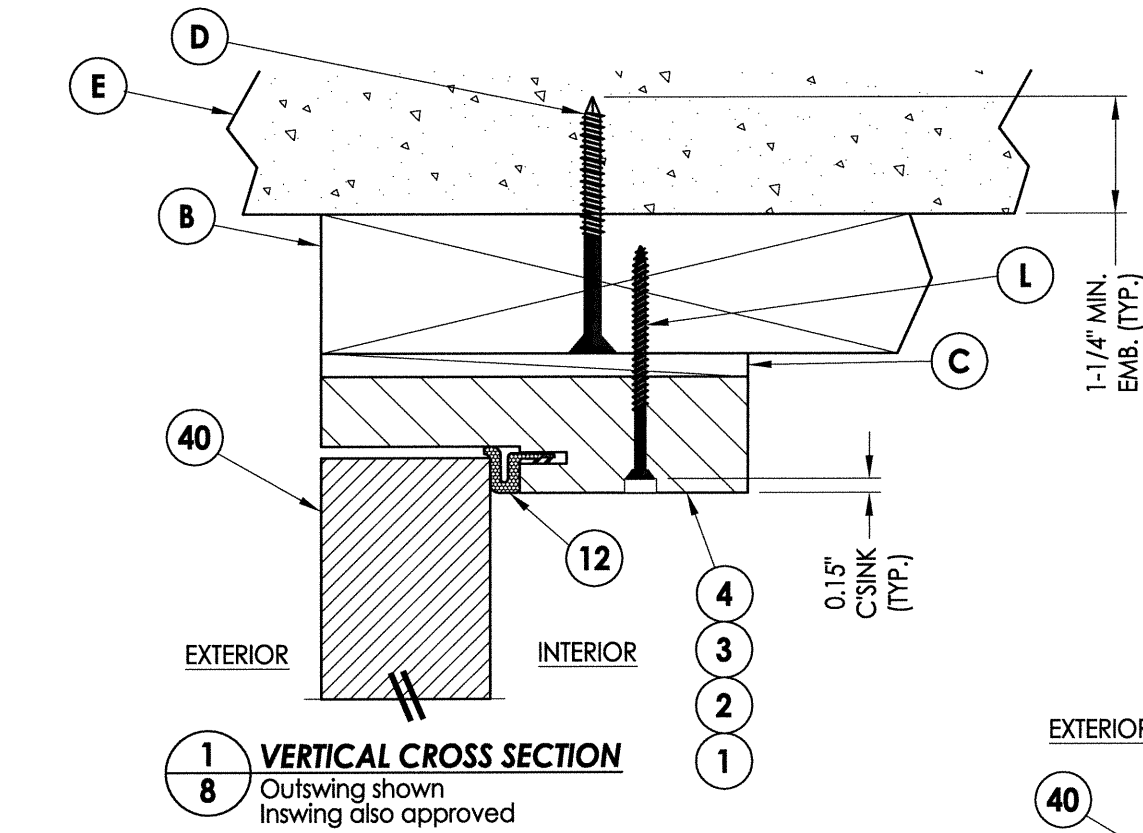


Documents Prepared By:  
 Lyndon F. Schmidt  
 P.E. No. 43409  
 R.W. BUILDING CONSULTANTS, INC.  
 P.O. Box 230, Valrico, FL 33595  
 Phone No.: 813.659.9197  
 FBPE C.A. No. 9813

PRODUCT: TRINITY GLASS INT'L  
 PART OR ASSEMBLY: HORIZONTAL CROSS SECTIONS

NO.	DATE	BY
3	03/02/15	JK
2	12/16/14	LFS
1	3/27/12	LFS

DATE: 1/18/12  
 SCALE: N.T.S.  
 DWG. BY: JK  
 CHK. BY: LFS  
 DRAWING NO.: FL-15129.7  
 SHEET 7 OF 13



17x  
5/15

Documents Prepared By:  
 Lyndon F. Schmidt  
 P.E. No. 43409

**R.W.**  
 BUILDING CONSULTANTS, INC.  
 P.O. Box 230, Valrico, FL 33595  
 Phone No.: 813.659.9197  
 FBPE C.A. No. 9813

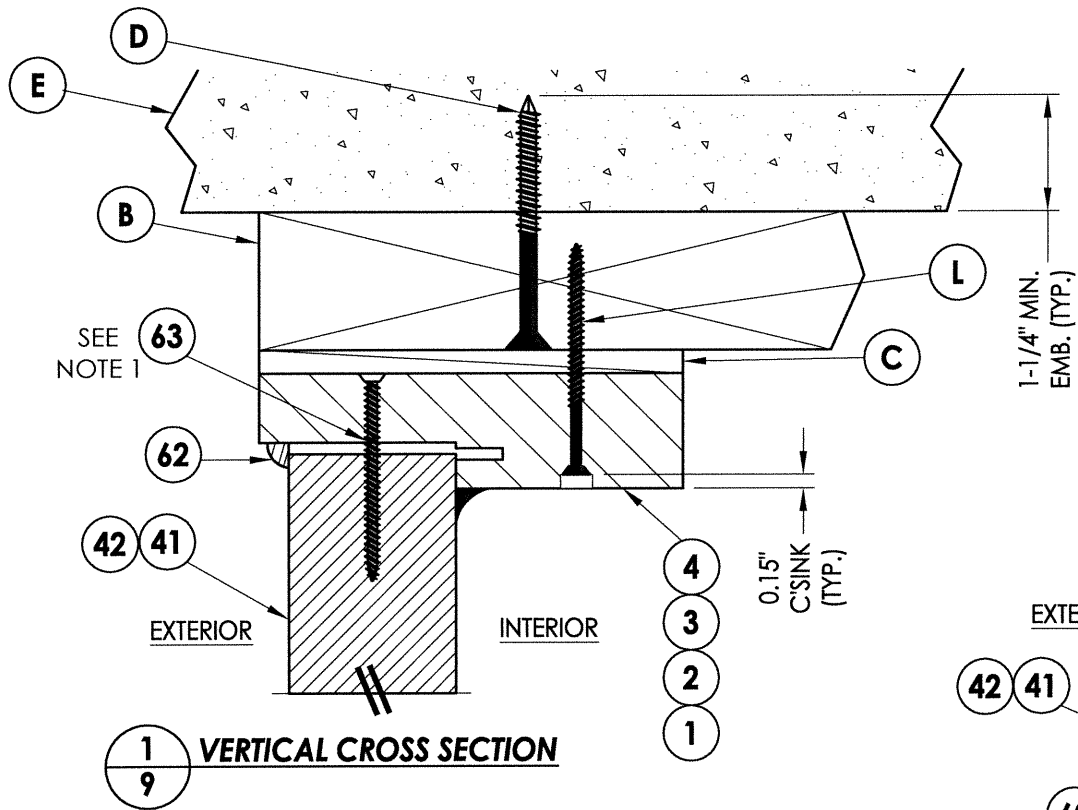
PRODUCT:		TRINITY GLASS INT'L	
PART OR ASSEMBLY:		VERTICAL CROSS SECTIONS	
NO.	DATE	BY	REVISIONS
3	03/02/15	JK	UPDATE TO 5TH ED. (2014) FBC
2	12/16/14	LFS	ADDED PVC JAMB/LOCK HRDWR
1	3/27/12	LFS	ADDED GLAZING DETAIL
DATE:	1/18/12		
SCALE:	N.T.S.		
DWG. BY:	JK		
CHK. BY:	LFS		
DRAWING NO.:	FL-15129.7		
SHEET	8	OF	13



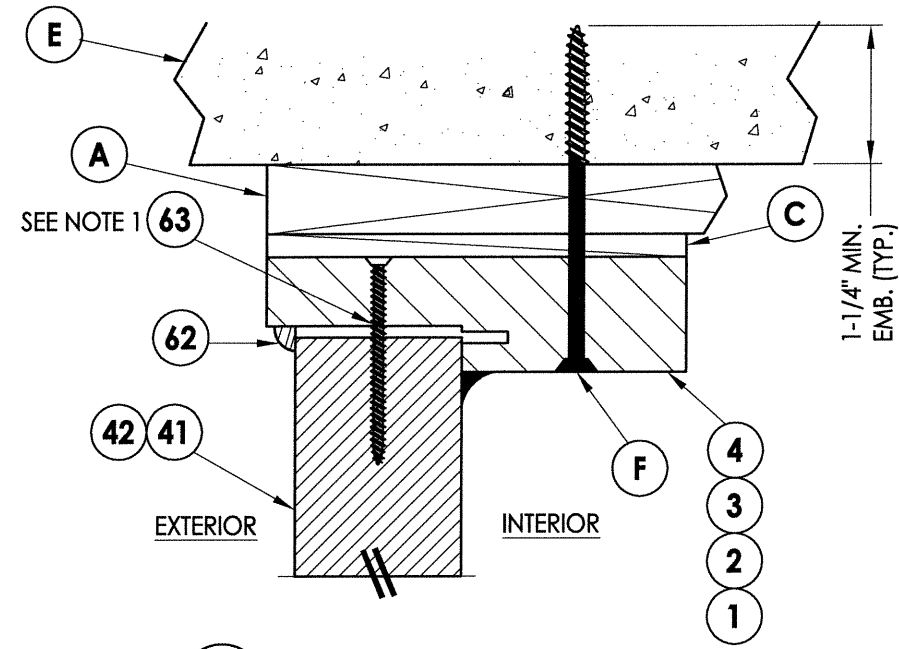
R:\Clients\Trinity Permanent Florida Product Approvals\FL-15129\Drawings\Current\FL-15129.5-8.dwg, 9.7

**NOTE:**

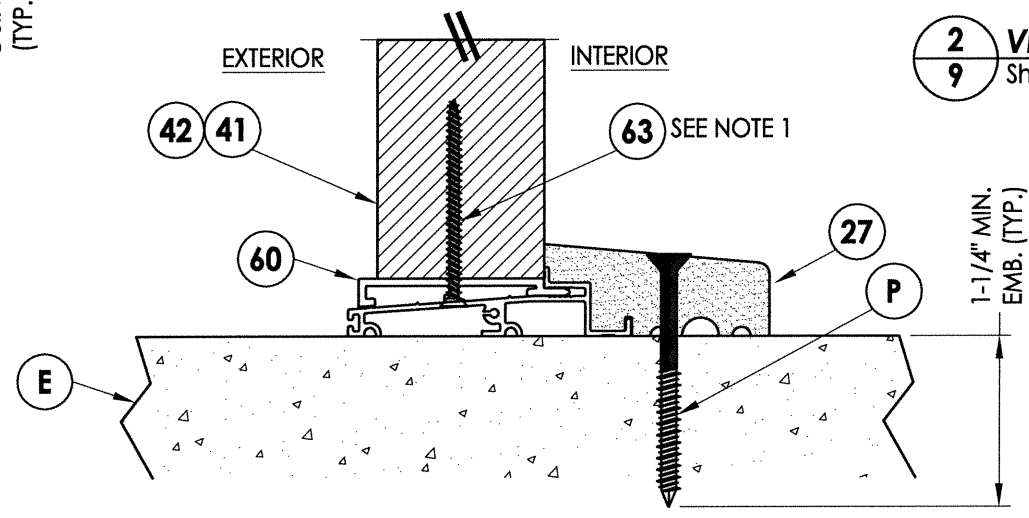
1. Screws thru head and sill jamb located 3" from each end and on center line.



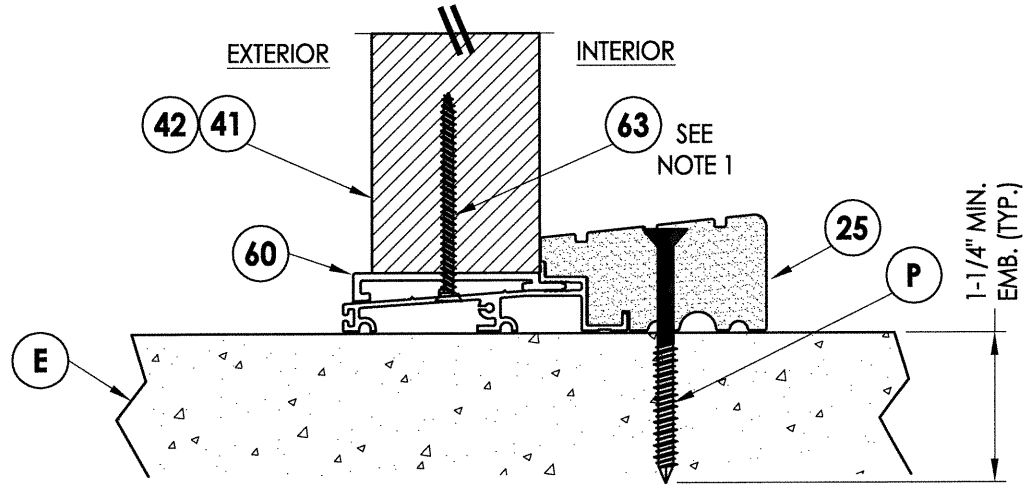
**1**  
**9** VERTICAL CROSS SECTION



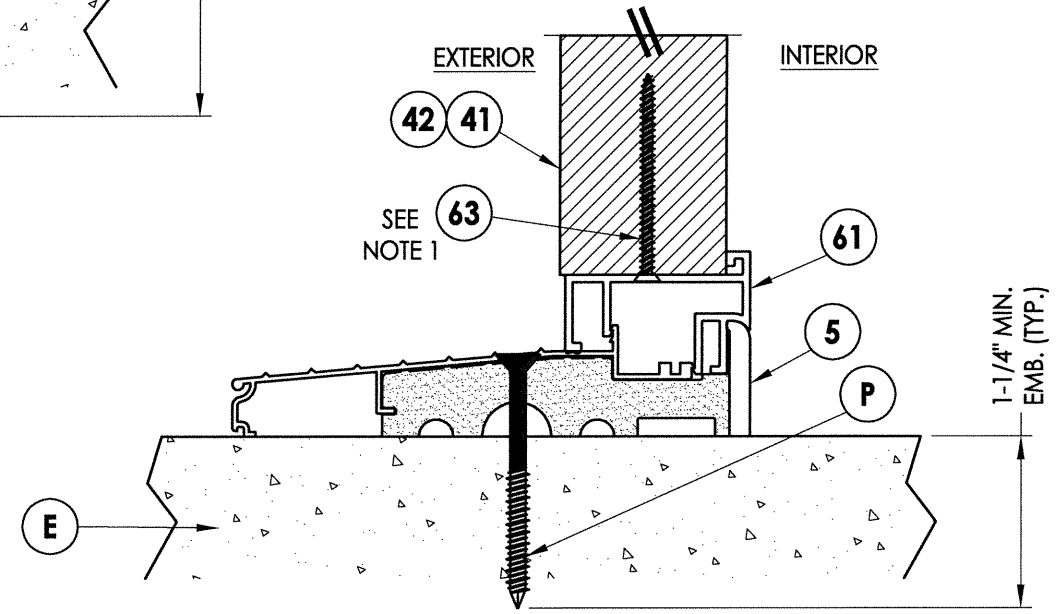
**2**  
**9** VERTICAL CROSS SECTION  
Shown w/1X sub-buck



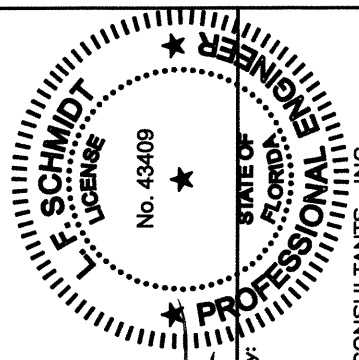
**4**  
**9** VERTICAL CROSS SECTION  
Outswing sill



**3**  
**9** VERTICAL CROSS SECTION  
Outswing sill - high dam



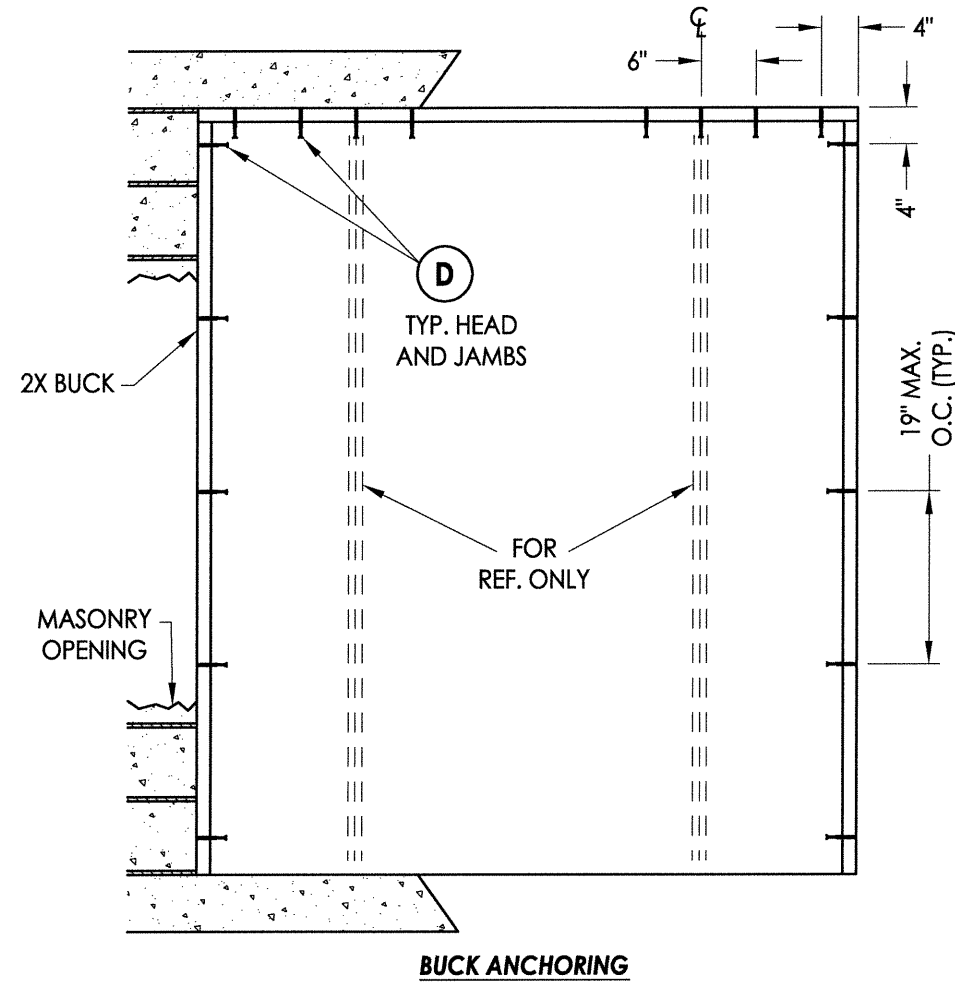
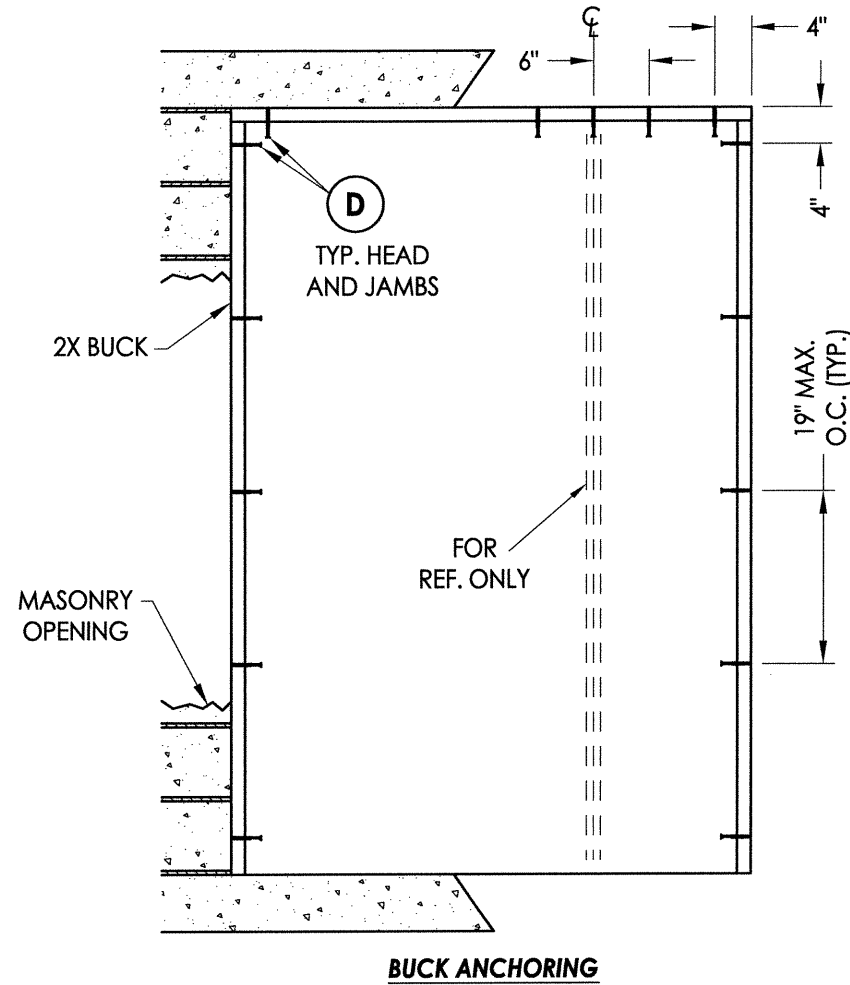
**5**  
**9** VERTICAL CROSS SECTION  
Inswing sill



Documents Prepared By:  
Lyndon F. Schmidt  
P.E. No. 43409

*RW* BUILDING CONSULTANTS, INC.  
P.O. Box 230, Valrico, FL 33595  
Phone No.: 813.659.9197  
FBPE C.A. No. 9813

PRODUCT: TRINITY GLASS INT'L		PART OR ASSEMBLY: VERTICAL CROSS SECTIONS	
JK	LFS	LFS	BY
3	03/02/15	UPDATE TO 5TH ED. (2014) FBC	
2	12/16/14	ADDED PVC JAMB/LOCK HRDWR	
1	3/27/12	ADDED GLAZING DETAIL	
NO.	DATE		
REVISIONS			
DATE: 1/18/12			
SCALE: N.T.S.			
DWG. BY: JK			
CHK. BY: LFS			
DRAWING NO.: FL-15129.7			
SHEET 9 OF 13			



**BUCK ANCHORING**

**BUCK ANCHORING**

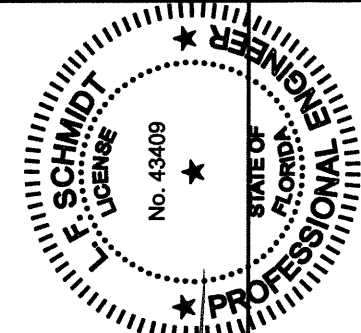
**CONCRETE ANCHOR NOTES:**

1. Concrete anchor locations at the corners may be adjusted to maintain the min. edge distance to mortar joints.
2. Concrete anchor locations noted as "MAX. ON CENTER" must be adjusted to maintain the min. edge distance to mortar joints, additional concrete anchors may be required to ensure the "MAX. ON CENTER" dimension are not exceeded.
3. Concrete anchor table:

ANCHOR TYPE	ANCHOR SIZE	MIN. EMBEDMENT	MIN. CLEARANCE TO MASONRY EDGE	MIN. CLEARANCE TO ADJACENT ANCHOR
ITW BUILDEX TAPCON®	1/4"	1-1/4"	2"	4"
ELCO ULTRACON®	1/4"	1-1/4"	1"	4"

**WOOD SCREW INSTALLATION NOTES:**

1. Maintain a minimum 5/8" edge distance, 1" end distance, & 1" o.c. spacing of wood screws to prevent the splitting of wood.



LFS  
5/1/15

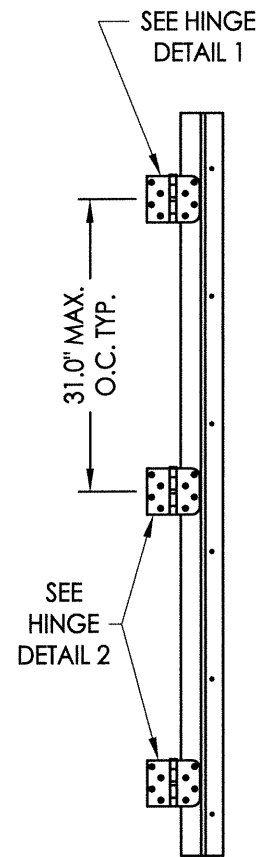
Documents Prepared By:  
Lyndon F. Schmidt  
P.E. No. 43409

RW  
BUILDING CONSULTANTS, INC.  
P.O. Box 230, Vairico, FL 33595  
Phone No.: 813.659.9197  
FBPE C.A. No. 9813

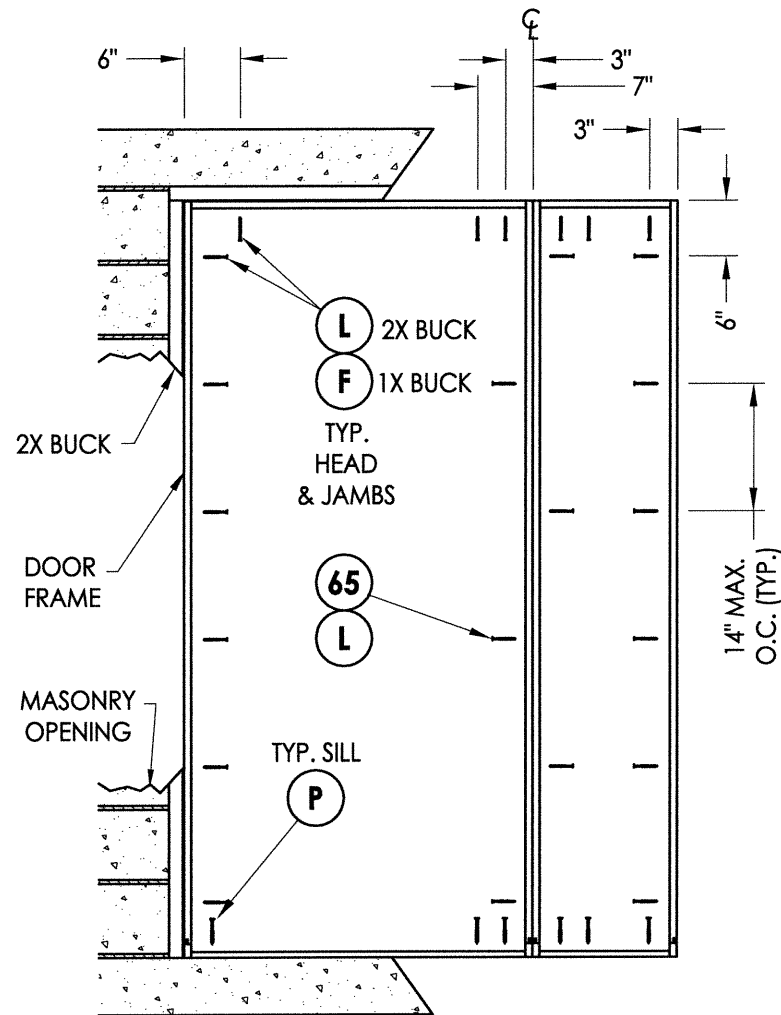
PRODUCT: TRINITY GLASS INT'L  
PART OR ASSEMBLY: BUCK ANCHORING

NO	DATE	BY	REVISIONS
3	03/02/15	JK	UPDATE TO 5TH ED. (2014) FBC
2	12/16/14	LFS	ADDED PVC JAMB/LOCK HRDWR
1	3/27/12	LFS	ADDED GLAZING DETAIL

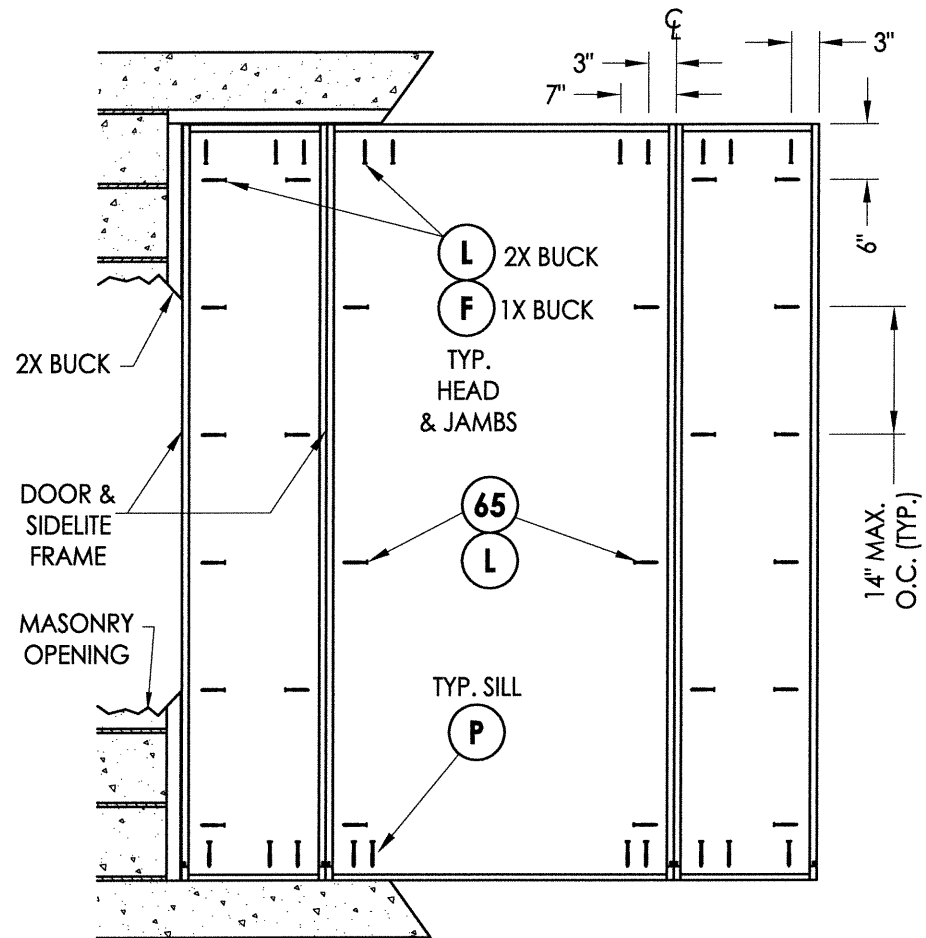
DATE: 1/18/12  
SCALE: N.T.S.  
DWG. BY: JK  
CHK. BY: LFS  
DRAWING NO.: FL-15129.7  
SHEET 10 OF 13



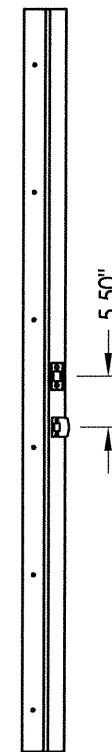
**HINGE JAMB**



**FRAME ANCHORING**  
Masonry construction



**FRAME ANCHORING**  
Masonry construction



**STRIKE JAMB**

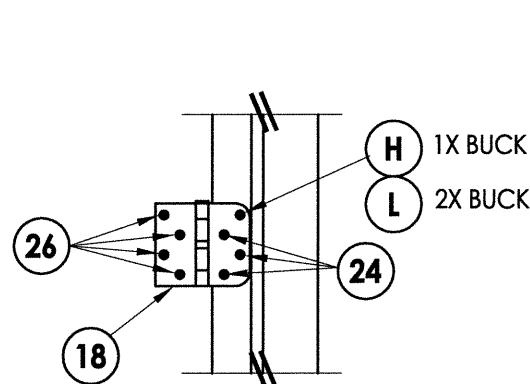
**CONCRETE ANCHOR NOTES:**

- Concrete anchor locations at the corners may be adjusted to maintain the min. edge distance to mortar joints.
- Concrete anchor locations noted as "MAX. ON CENTER" must be adjusted to maintain the min. edge distance to mortar joints, additional concrete anchors may be required to ensure the "MAX. ON CENTER" dimension are not exceeded.
- Concrete anchor table:

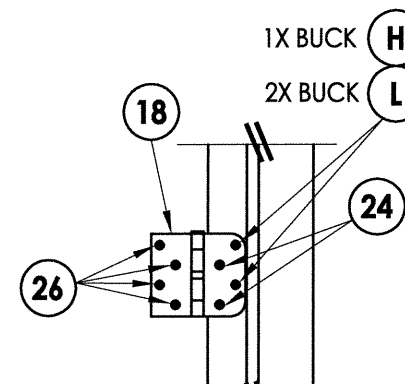
ANCHOR TYPE	ANCHOR SIZE	MIN. EMBEDMENT	MIN. CLEARANCE TO MASONRY EDGE	MIN. CLEARANCE TO ADJACENT ANCHOR
ITW BUILDEX TAPCON®	3/16"	1-1/4"	3"	1-1/2"
	1/4"	1-1/4"	2"	4"
ELCO ULTRACON®	1/4"	1-1/4"	1"	4"

**WOOD SCREW INSTALLATION NOTES:**

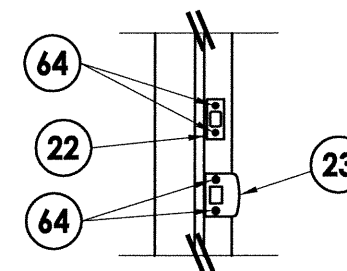
- Maintain a minimum 5/8" edge distance, 1" end distance, & 1" o.c. spacing of wood screws to prevent the splitting of wood.



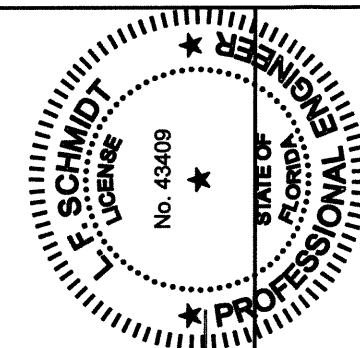
**HINGE DETAIL 2**



**HINGE DETAIL 1**



**STRIKE PLATE DETAIL**



Documents Prepared By:  
Lyndon F. Schmidt  
P.E. No. 43409

**R.W.** BUILDING CONSULTANTS, INC.  
P.O. Box 230, Valrico, FL 33595  
Phone No.: 813.659.9197  
FBPE C.A. No. 9813

PRODUCT: TRINITY GLASS INT'L  
PART OR ASSEMBLY: FRAME ANCHORING

NO.	DATE	REVISIONS
3	03/02/15	UPDATE TO 5TH ED. (2014) FBC
2	12/16/14	ADDED PVC JAMB/LOCK HRDWR
1	3/27/12	ADDED GLAZING DETAIL

DATE: 1/18/12

SCALE: N.T.S.

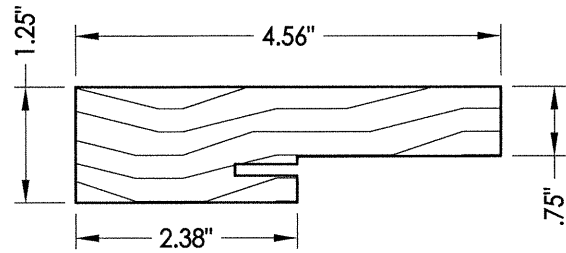
DWG. BY: JK

CHK. BY: LFS

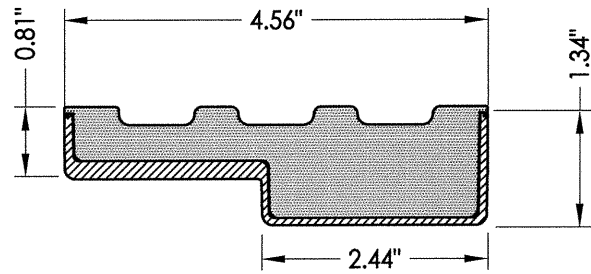
DRAWING NO.:

FL-15129.7

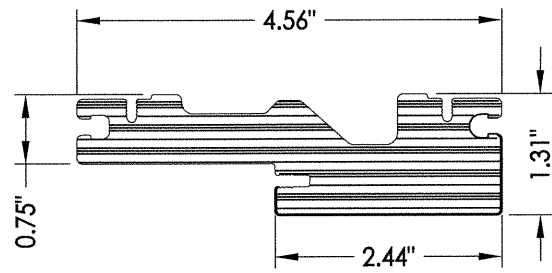
SHEET 11 OF 13



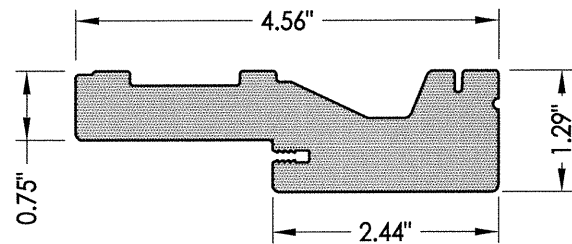
**1 HEAD AND JAMBS**  
Wood



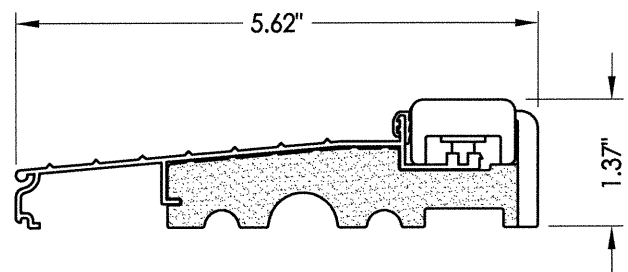
**2 HEAD AND JAMBS**  
Composite PVC Base  
w/ Fiberglass Wrap



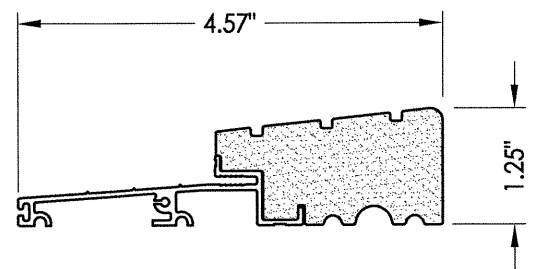
**3 HEAD AND JAMBS**  
PVC



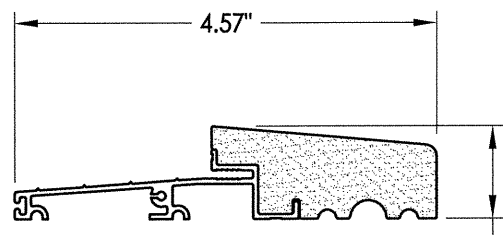
**4 HEAD AND JAMBS**  
PVC



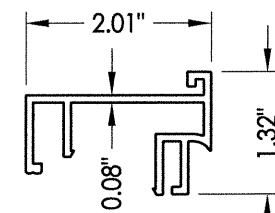
**5 INSWING THRESHOLD**



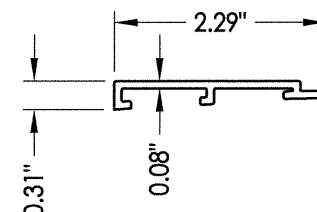
**25 OUTSWING THRESHOLD**  
High-dam



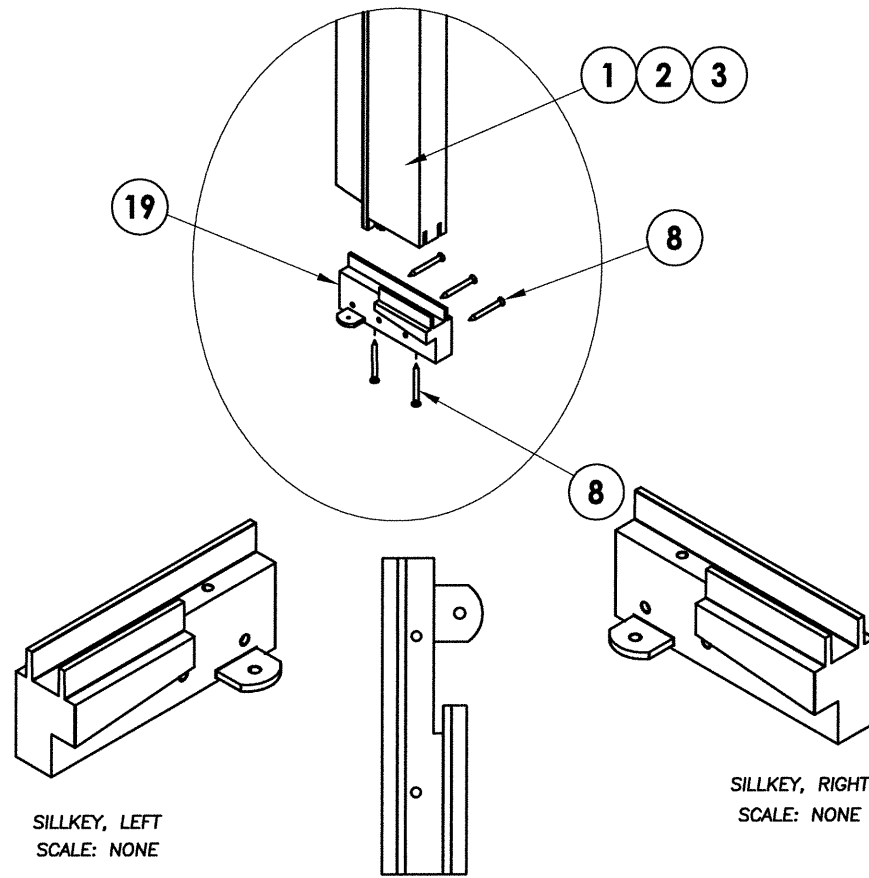
**27 OUTSWING THRESHOLD**



**61 SIDELITE SPACER**  
Inswing

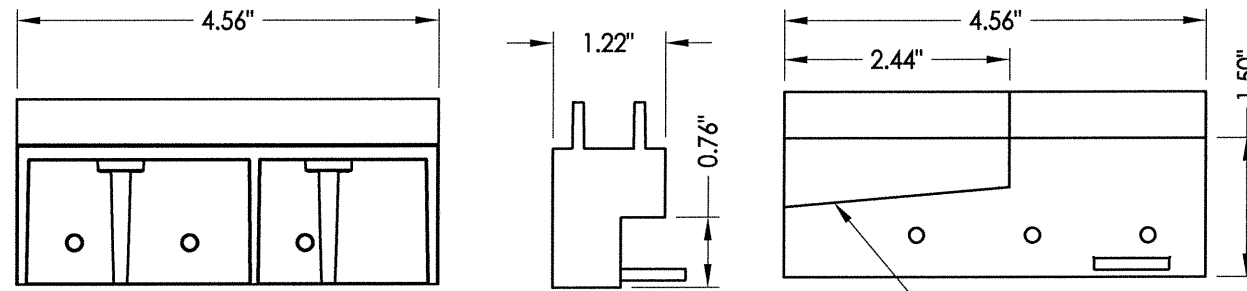


**60 SIDELITE SPACER**  
Outswing

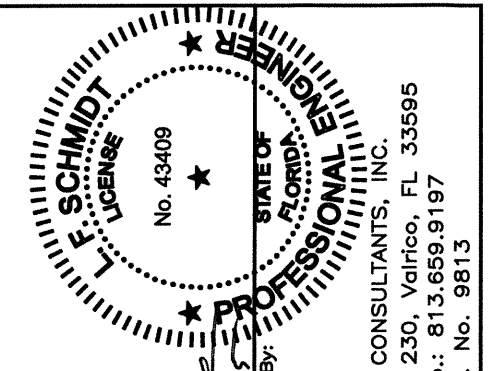


SILLKEY, LEFT  
SCALE: NONE

SILLKEY, RIGHT  
SCALE: NONE



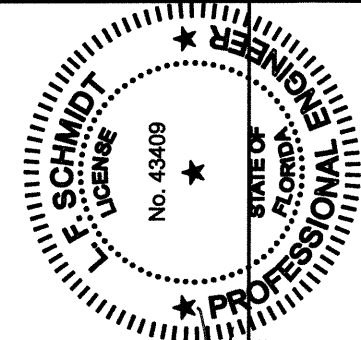
**19 SILLKEY DETAILS**  
Optional



Documents Prepared By:  
Lyndon F. Schmidt  
P.E. No. 43409  
*RW*  
BUILDING CONSULTANTS, INC.  
P.O. Box 230, Valrico, FL 33595  
Phone No.: 813.659.9197  
FBPE C.A. No. 9813

PRODUCT: TRINITY GLASS INT'L		PART OR ASSEMBLY: COMPONENTS	
3	03/02/15	UPDATE TO 5TH ED. (2014) FBC	JK
2	12/16/14	ADDED PVC JAMB/LOCK HRDWR	LFS
1	3/27/12	ADDED GLAZING DETAIL	LFS
NO.	DATE	REVISIONS	
DATE: 1/18/12		SCALE: N.T.S.	
DWG. BY: JK		CHK. BY: LFS	
DRAWING NO.: FL-15129.7		SHEET 12 OF 13	

BILL OF MATERIALS		
ITEM #	DESCRIPTION	MATERIAL
A	1X BUCK SG >= 0.55	WOOD
B	2X BUCK SG >= 0.55	WOOD
C	1/4" MAX. SHIM SPACE	-
D	1/4" X 2-3/4" PFH ELCO OR ITW CONCRETE SCREW	STEEL
E	MASONRY - 3,000 PSI MIN. CONCRETE CONFORMING TO ACI 301 OR HOLLOW BLOCK CONFORMING TO ASTM C90	CONCRETE
F	1/4" X 3-3/4" PFH ITW CONCRETE SCREW	STEEL
H	3/16" X 3-1/4" PFH ITW CONCRETE SCREW	STEEL
J	#9 X 2-1/4" PFH WS	STEEL
L	#8 X 2-1/2" PFH WS	STEEL
P	1/4" X 2-3/4" PFH ELCO OR ITW CONCRETE SCREW	STEEL
1	HEAD & JAMB (FINGER-JOINT PINE - SG >= 0.42)	WOOD
2	HEAD & JAMB	FIBERGLASS/COMP
3	HEAD & JAMB	PVC
4	HEAD & JAMB	PVC
5	INSWING THRESHOLD ALUMINUM W/ COMPOSITE SUBSTRATE	ALUMINUM
6	DOOR BOTTOM SWEEP	PVC
8	#6 X 1-1/4 PFH DRYWALL SCREW	STEEL
12	WEATHERSTRIP QEBD650 Q-LON	-
18	3.983" X 4.0" HINGE MIN 0.098" THICK	STEEL
19	SILLKEY	PC/ASA
22	DEADBOLT STRIKE PLATE	STEEL
23	LATCH STRIKE PLATE	STEEL
24	#9 X 5/8" PFH WS	STEEL
25	OUTSWING HIGH-DAM THRESHOLD ALUMINUM W/ COMPOSITE SUBSTRATE	ALUM./ COMP.
26	#9 X 1.0" PFH WS	STEEL
27	OUTSWING THRESHOLD ALUMINUM W/ COMPOSITE SUBSTRATE	ALUM./ COMP.
40	DOOR PANEL - SEE DOOR PANEL DETAIL SHEET FOR CONSTRUCTION DETAILS	-
41	SIDELITE PANEL - SEE SIDELITE PANEL DETAIL SHEET FOR CONSTRUCTION DETAILS	-
42	SIDELITE PANEL - SEE SIDELITE PANEL DETAIL SHEET FOR CONSTRUCTION DETAILS	-
60	SIDELITE SPACER - OUTSWING	PVC
61	SIDELITE SPACER - INSWING	PVC
62	QUARTER ROUND	WOOD
63	#8 X 2-1/4" PFH WOOD SCREW	STEEL
64	#8 X 2" PFH WOOD SCREW	STEEL
65	#10 X 2" PFH WOOD SCREW	STEEL



Documents Prepared By:  
Lyndon F. Schmidt  
P.E. No. 43409

**R.W.**  
BUILDING CONSULTANTS, INC.  
P.O. Box 230, Valrico, FL 33595  
Phone No.: 813.659.9197  
FBPE C.A. No. 9813

PRODUCT: TRINITY GLASS INT'L  
PART OR ASSEMBLY: BILL OF MATERIALS

NO.	DATE	BY	REVISIONS
3	03/02/15	JK	UPDATE TO 5TH ED. (2014) FBC
2	12/16/14	LFS	ADDED PVC JAMB/LOCK HRDWR
1	3/27/12	LFS	ADDED GLAZING DETAIL

DATE: 1/18/12  
SCALE: N.T.S.  
DWG. BY: JK  
CHK. BY: LFS  
DRAWING NO.: FL-15129.7  
SHEET 13 OF 13